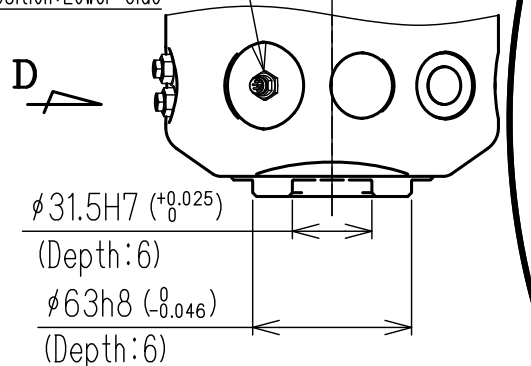


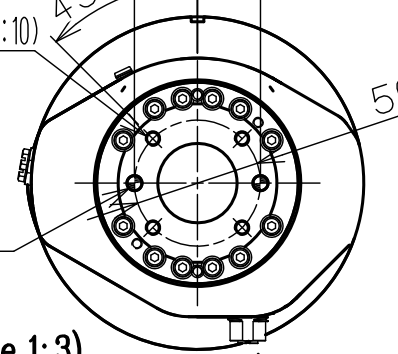
DWG.NO. HW2380279

Connector for I/O Cable :
M8 A-Coding 8 contacts (Plug)
Key Position: Lower Side



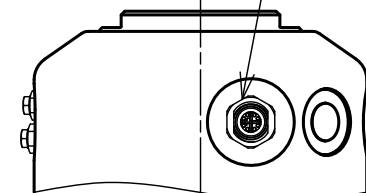
25±0.04 45° 25±0.04

4X M6XP1.0 (Depth:10)



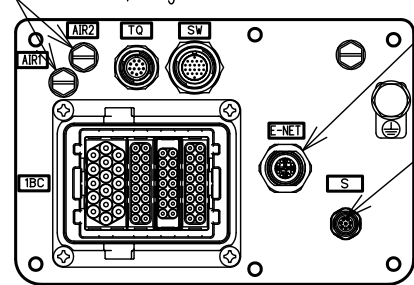
View C (Scale 1:3)

Connector for Ethernet Cable :
M12 X-coding 8 contacts (Socket)
Key Position: Left-Upper Side



View E (Scale 1:3)

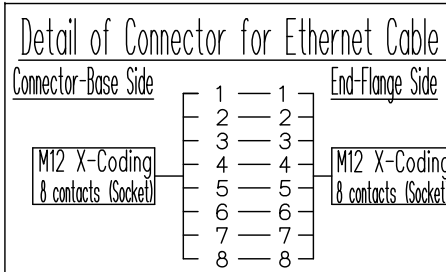
2X M5XP0.8 (Depth:4.5)
(Air Inlets, Plug Attached)



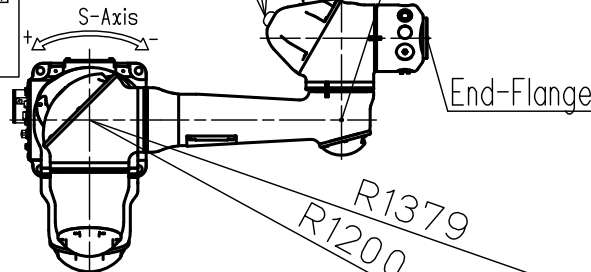
View B (Scale 1:3)

Connector for Ethernet Cable :
M12 X-coding 8 contacts (Socket)
Key Position : Left-Lower Side

Connector for I/O Cable :
M8 A-Coding 8 contacts (Socket)
Key Position : Upper Side

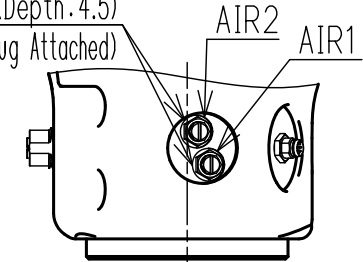


Resume Switch
Collaborative
Operation Lamp
P-Point



Type	Specification
YR-1-06VXCP10-F00	• Built-in Air Hoses, Ethernet and I/O (8 wires) Cables • Special Surface Treatment and Food Grade Specification

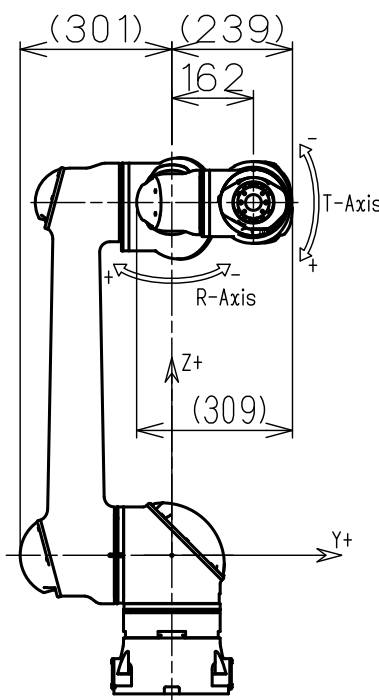
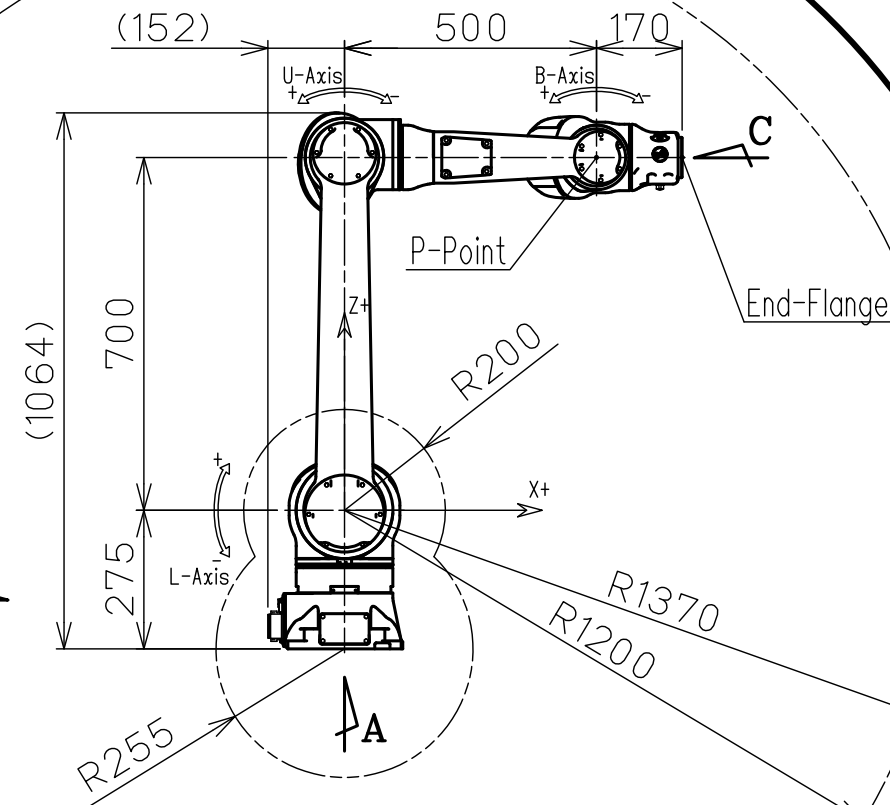
2X M5XP0.8 (Depth:4.5)
(Air Outlets, Plug Attached)



View D (Scale=1/3)

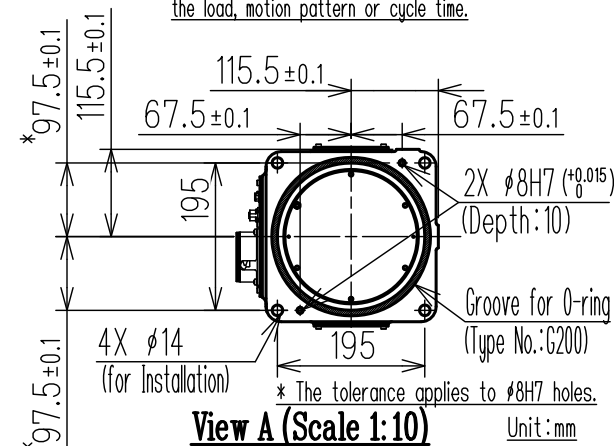
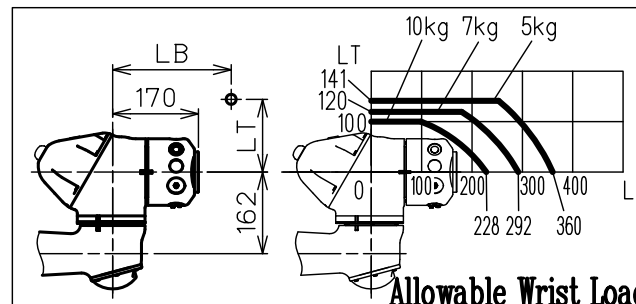
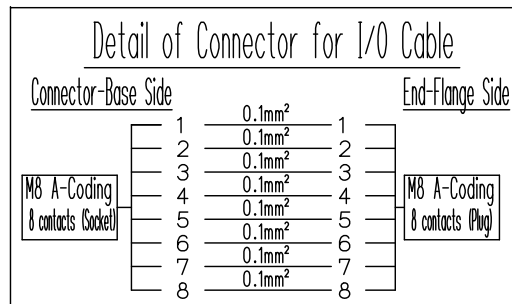
End-Flange Working Envelope

P-Point Working Envelope



Item	Model	MOTOMAN-HC10DTFP
Configuration		Vertically Articulated
Degree of Freedom		6
Payload		10kg
Repeatability *1		0.05mm
Range of Motion	S-Axis (Turning) *3	-210° - +210°
	L-Axis (Lower Arm)	-180° - +180°
	U-Axis (Upper Arm)	-290° - +290°
	R-Axis (Roll)	-210° - +210°
	B-Axis (Pitch/Yaw)	-180° - +180°
Maximum Speed **	T-Axis (Twist)	-210° - +210°
	S-Axis	2.27rad/s, 130°/s
	L-Axis	2.27rad/s, 130°/s
	U-Axis	3.14rad/s, 180°/s
	R-Axis	3.14rad/s, 180°/s
Allowable Moment	B-Axis	4.36rad/s, 250°/s
	T-Axis	4.36rad/s, 250°/s
	R-Axis	27.4N·m (2.8kgf·m)
Allowable Inertia (GD ² /4)	B-Axis	27.4N·m (2.8kgf·m)
	T-Axis	9.8N·m (1.0kgf·m)
	R-Axis	0.78 kg·m ²
Mass	B-Axis	0.78 kg·m ²
	T-Axis	0.1 kg·m ²
	R-Axis	0.1 kg·m ²
Protection Rating		IP66/IP67
Clean Rating (Reference)*5		Equivalent to ISO class 5
Mounting Method		Floor-, Wall-, Tilt-, Ceiling-mounted
Ambient Conditions	Temperature	0 °C - 40 °C
	Humidity	20%RH - 80%RH (Non-Condensing)
	Vibration Acceleration	4.9m/s ² (0.5G) or less
	Altitude	1000m or less
	Flatness for Installation	0.5mm or less
	Others	• Free from oil soot. • Free from explosive and corrosive gas or liquid. • Free from excessive electrical noise. • Free from strong magnetic field.
Power Requirements *6		1.0kVA
Applicable Controller		YRC1000/YRC1000micro

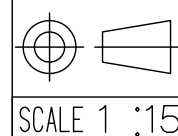
*1 Repeatability conforms to ISO 9283.
*2 The manipulator is in the home position in this drawing.
*3 When tilt- or wall-mounted, the S-axis motion range is limited.
*4 The maximum speed value in this table is the available maximum value and will vary depending on the load, posture, or range of motion.
*5 The clean rating is for reference and not guaranteed.
*6 The power requirement value is obtained using YASKAWA's in-house measurement conditions and will vary depending on the load, motion pattern or cycle time.



View A (Scale 1:10)

Note:
1. All rights reserved.
2. Please note that the data is subject to be deleted without advance notice.
3. No warranty is given in relation to the data including the specification.
4. We are not responsible for any damages or loss caused by the use of the data.

FOR STUDY PURPOSE ONLY



YASKAWA
株式会社 安川電機

Reference Drawing

TITLE MOTOMAN-HC10DTFP
DIMENSION DIAGRAM

DRWN DATE Jun. 3, '21
DWG.NO. HW2380279

SIZE A3