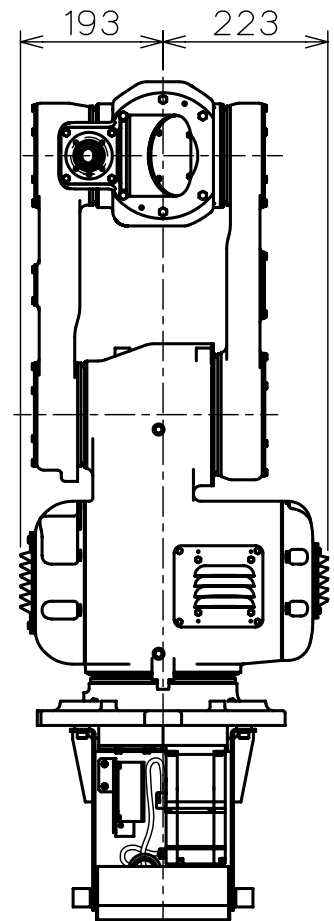
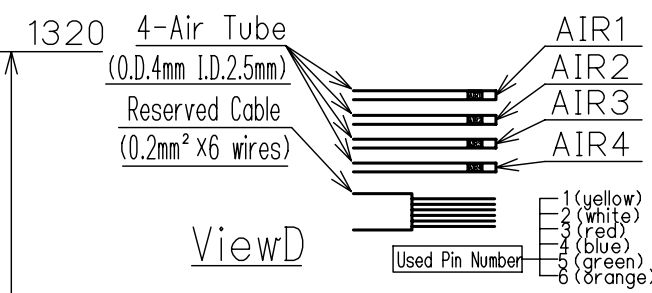
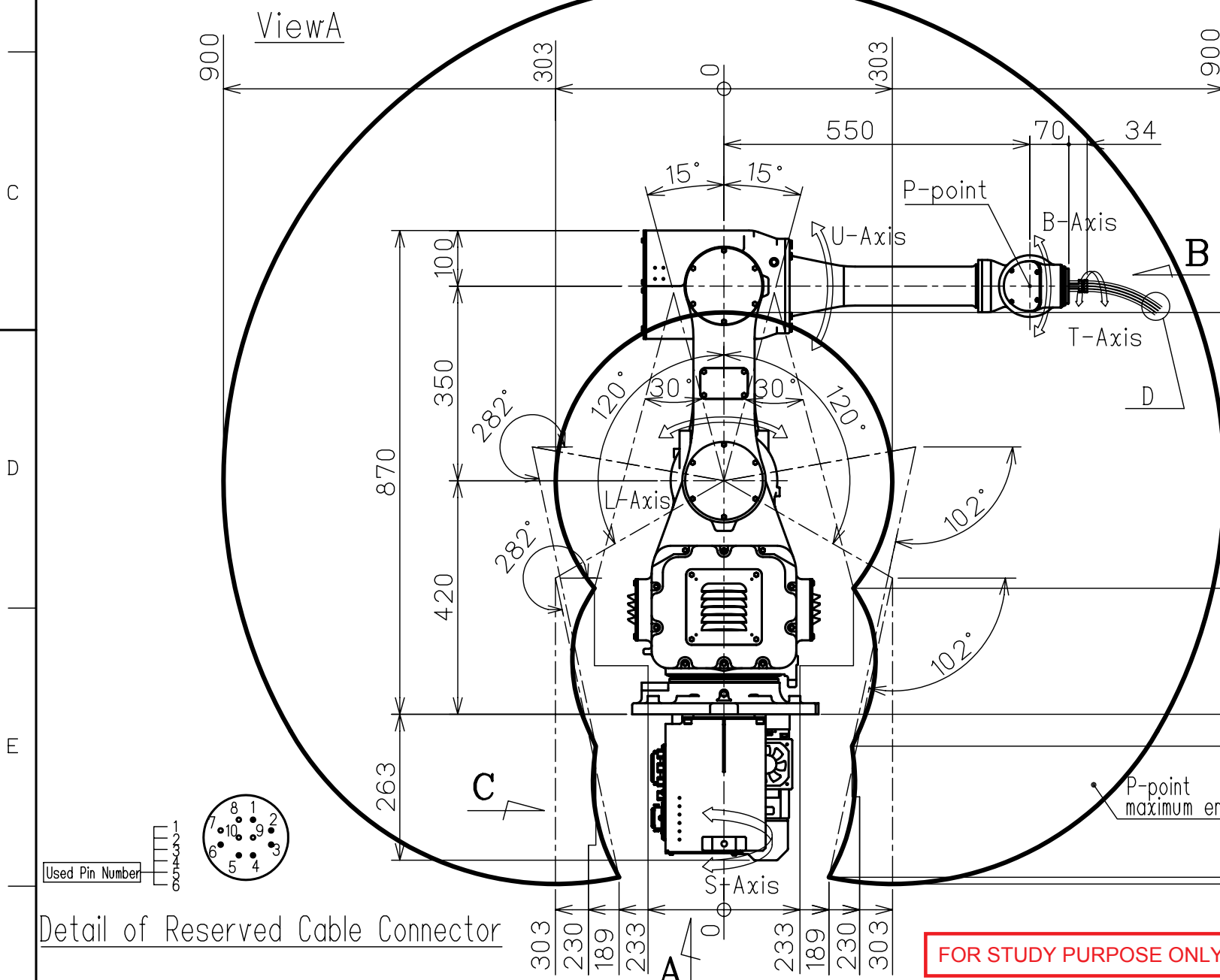
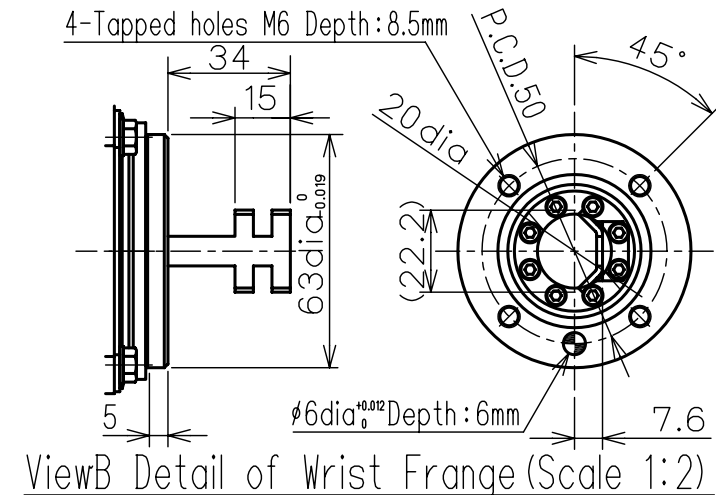
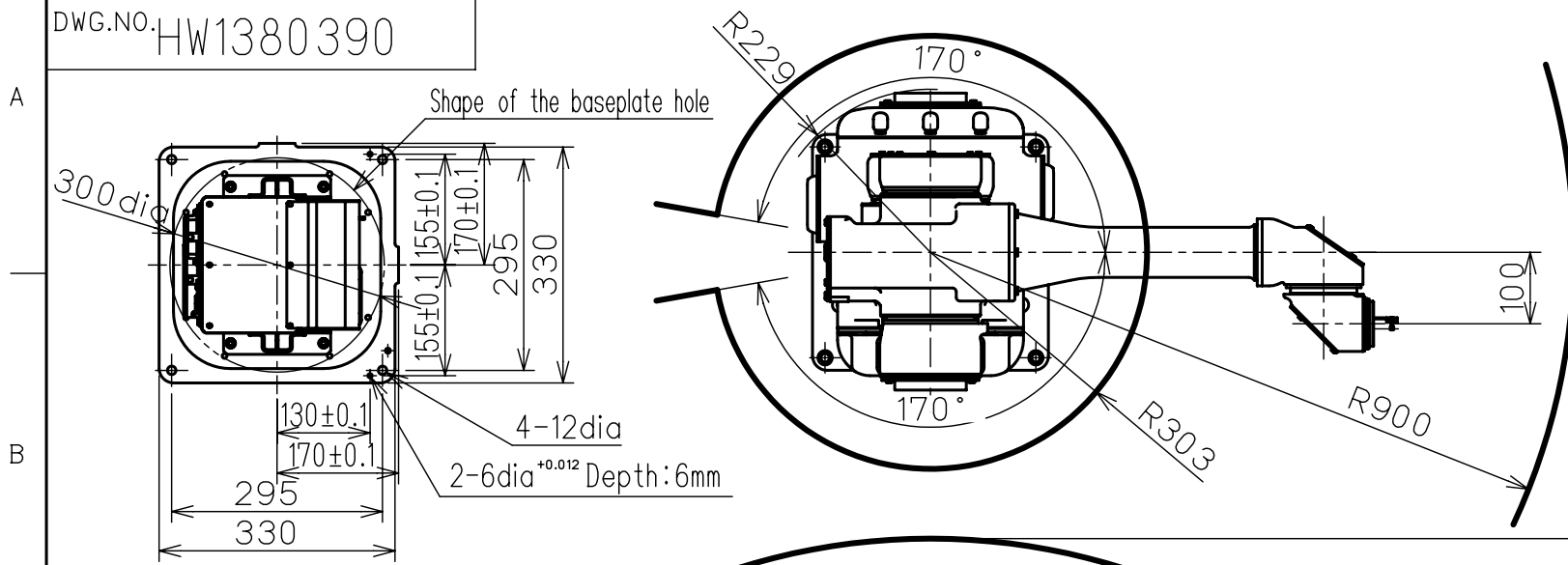
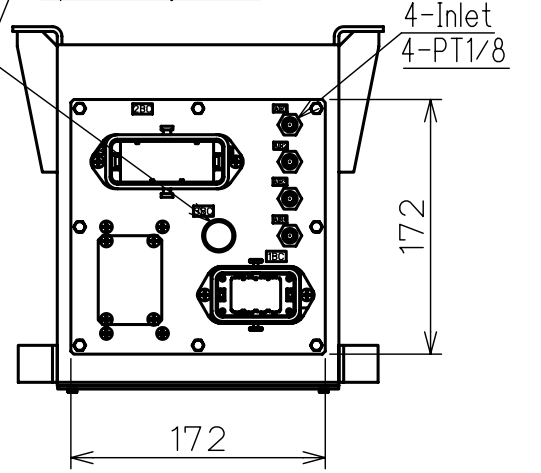


DWG.NO. HW1380390



Item	Model	MOTOMAN-MPK2 (F)
Configuration	Articulated Robot	
Degree of Freedom	5	
Payload	2kg	
Repeatability	±0.5mm	
Range of Motion	S-Axis (Turning)	-170° - +170°
	L-Axis (Lower Arm)	-120° - +120°
	U-Axis (Upper Arm)	-102° - +282°
	B-Axis (Pitch/Yaw)	-150° - +150°
	T-Axis (Twist)	-270° - +270°
Max Speed	S-Axis	5.59rad/s, 320°/s
	L-Axis	5.76rad/s, 330°/s
	U-Axis	5.76rad/s, 330°/s
	B-Axis	6.63rad/s, 380°/s
Allowable Moment	B-Axis	3.5Nm (0.36kgfm)
	T-Axis	1.5Nm (0.15kgfm)
Allowable Inertia (GD ² /4)	B-Axis	0.065 kg·m ²
	T-Axis	0.012 kg·m ²
Approx. Robot mass	72kg	
Ambient Conditions	Temperature	0~40° C
	Humidity	20~80%RH (non-condensing)
	Vibration	Less than 4.9m/s ² (0.5G)
	Others	<ul style="list-style-type: none"> Free from corrosive gases or liquids, or explosive gases. Free from exposure to oil, or dust. Free from excessive electrical noise (plasma).
Power Requirements	DX100	2.0KVA
	FS100	

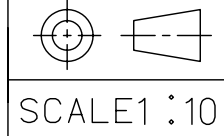
•SI units are used in this table. However, gravitational units are used in ().
 •Repetitive Positioning Accuracy conforms to ISO 9283.
 Mating connector type is RM15WTRZ-10P (with cap)
 Mating connector type is RM15WTPZ-10S*HIROSE* (provided by users)



TYPE	Controller	NOTE
YR-MPK0002-B00	DX100	Floor Mount,
YR-MPK002F-A00	FS100	BUILT-IN BASE TYPE
YR-MPK0002-B01	DX100	Ceiling Mounted,
YR-MPK002F-A01	FS100	BUILT-IN BASE TYPE

FOR STUDY PURPOSE ONLY

Note:
 1. All rights reserved.
 2. Please note that the data is subject to be deleted without advance notice.
 3. No warranty is given in relation to the data including the specification.
 4. We are not responsible for any damages or loss caused by the use of the data.



YASKAWA
 株式会社 安川電機

Reference Drawing

TITLE MOTOMAN-MPK2 (F)
 DIMENSION DIAGRAM

DWG.NO. HW1380390

SIZE A3