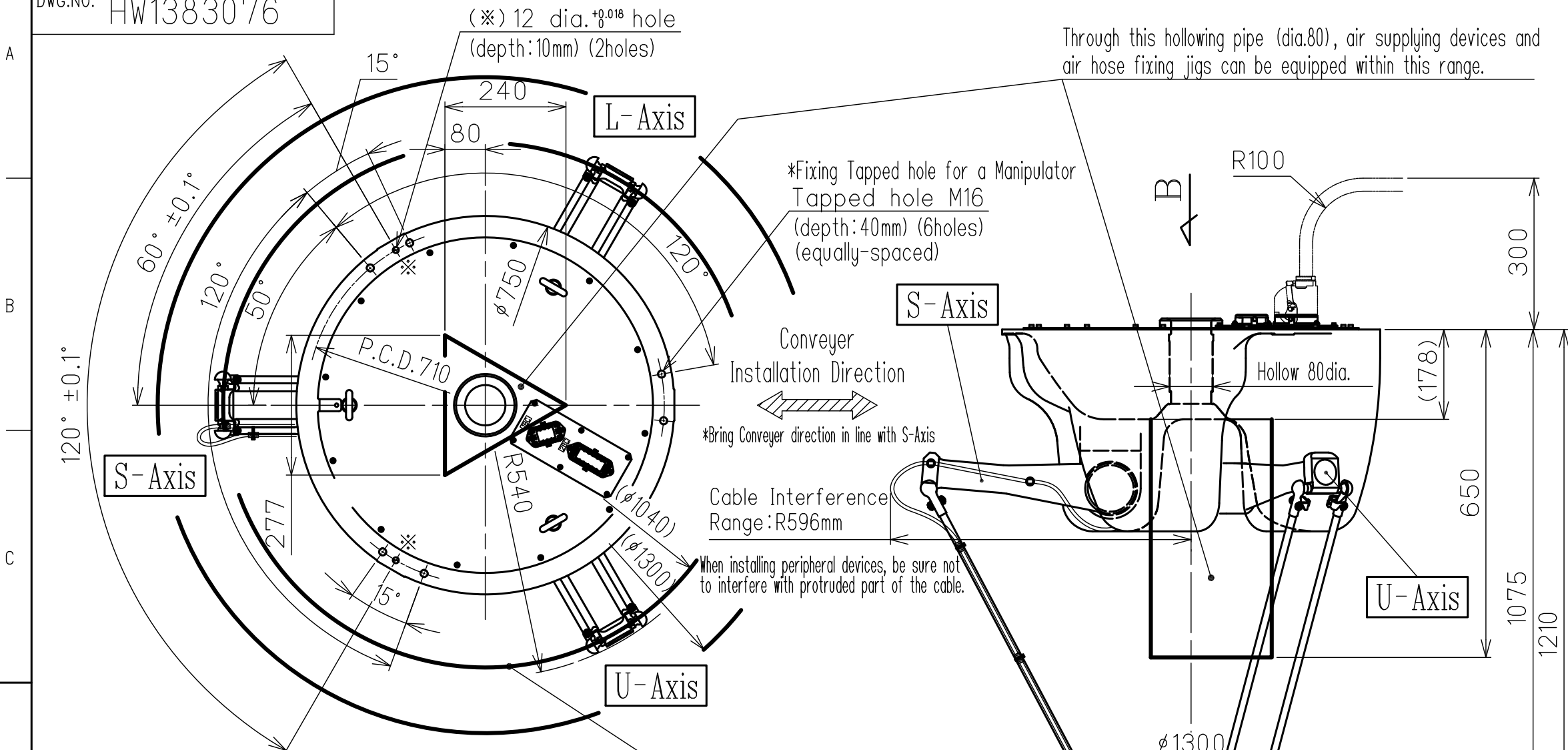


DWG.NO. HW1383076

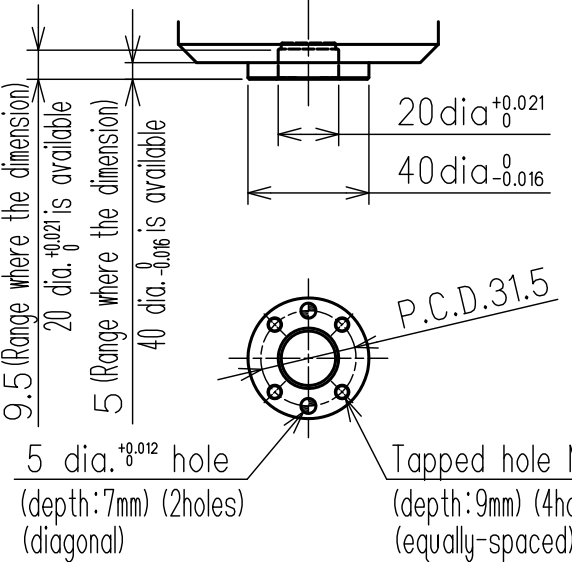


Through this hollowing pipe (dia.80), air supplying devices and air hose fixing jigs can be equipped within this range.

*Fixing Tapped hole for a Manipulator
Tapped hole M16
(depth:40mm) (6holes)
(equally-spaced)

Conveyer
Installation Direction
*Bring Conveyer direction in line with S-Axis

Cable Interference
Range:R596mm
When installing peripheral devices, be sure not
to interfere with protruded part of the cable.



Recommended Range of Motion
($\phi 1040 \times H300$)
(T-axis Unit may vibrate when it moves
outside the recommended range of motion.)

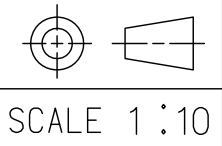
ITEM	MODEL	MOTOMAN-MPP3H
Degree of Freedom		4
Payload		3kg
Repetitive Positioning Accuracy*1		$\pm 0.1\text{mm}$
Repetitive Rotational Accuracy(T-axis)		± 1 arc-min or less
Range of Motion		$\phi 1300 \times H300$
Cycle Time (25-305-25)	1kg	230cpm*2
	3kg	150cpm
T-Axis	Range of Motion	$-360^\circ \sim +360^\circ$
	Allowable Inertia (GD ² /4)	1kg:0.0013kg·m ² or less 2kg:0.009kg·m ² or less 3kg:0.017kg·m ² or less
Mass		115kg
IP degree		IP67
Cleanliness Class*3		ISO class 5 (class 100)
Ambient Conditions	Temperature	0~40℃
	Humidity	20~80%RH Non condensing
	Vibration acceleration	4.9m/s ² (0.5G) or less
	Others	•Free from corrosive gas or liquid, or explosive gas. •Free from excessive electrical noise.
Power Capacity		1.5KVA

SI units are used in this table.
However, gravitational unit is used in ().
*1: Conformed to ISO 9283
*2:Limited Continuance Motion.
(Non Limited Continuance Motion : 185 cpm or less.)
*3: Conformed to ISO 14644-1

Type	Note
YR-MPP003H-A00	Standard

Note:
1.All rights reserved.
2.Please note that the data is subject to be
deleted without advance notice.
3.No warranty is given in relation to the data
including the specification.
4.We are not responsible for any damages
or loss caused by the use of the data.

FOR STUDY PURPOSE ONLY



Reference Drawing

TITLE MOTOMAN-MPP3H
DIMENSION DIAGRAM

DATE Aug.4.'14
DWG.NO. HW1383076

SIZE A3