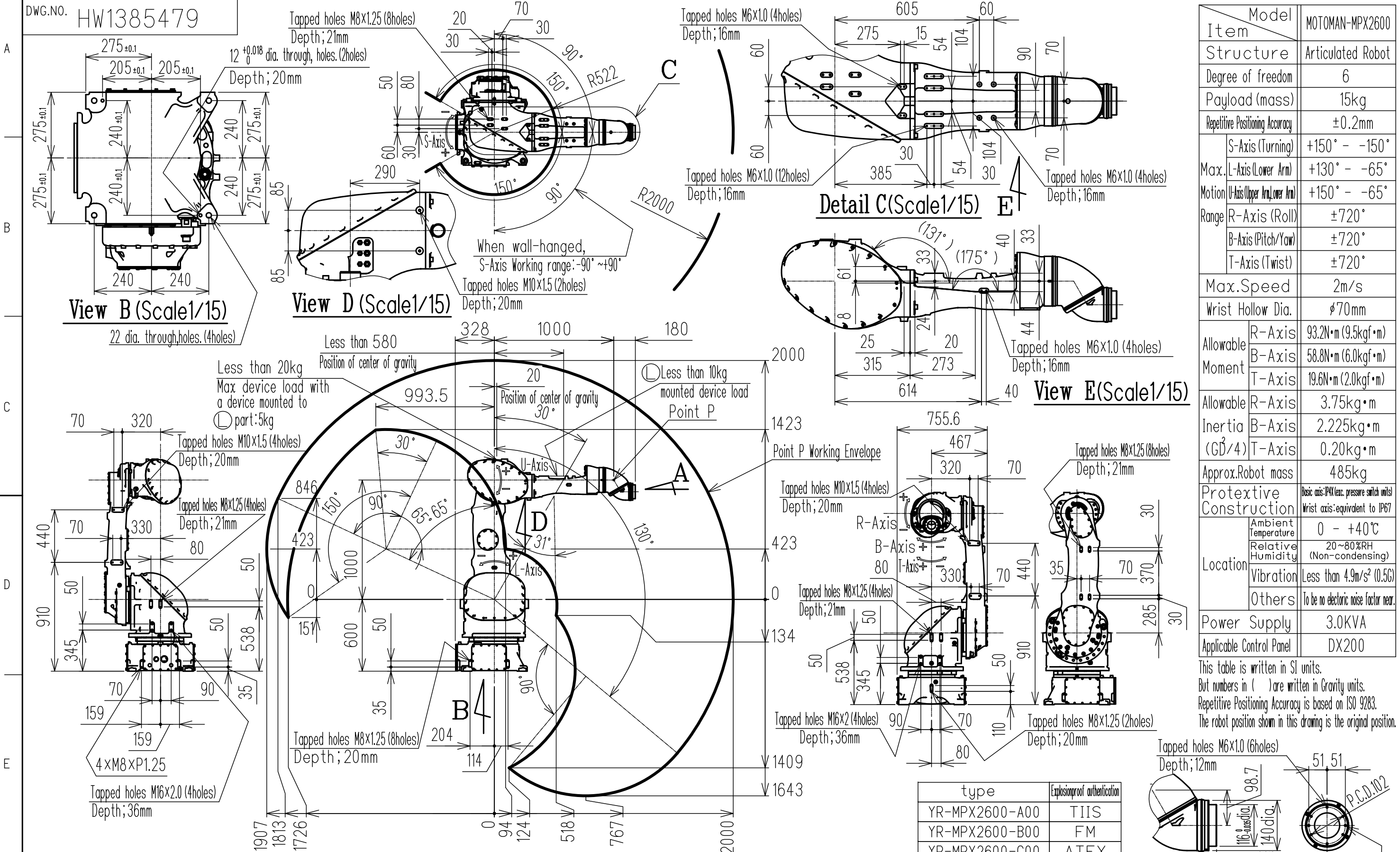


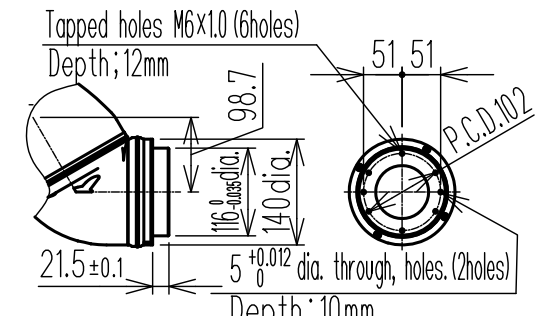
DWG.NO. HW1385479



Model	MOTOMAN-MPX2600	
Structure	Articulated Robot	
Degree of freedom	6	
Payload (mass)	15kg	
Repetitive Positioning Accuracy	±0.2mm	
Max. Motion Range	S-Axis (Turning)	+150° - -150°
	L-Axis (Lower Arm)	+130° - -65°
	U-Axis (Upper Arm/Lower Arm)	+150° - -65°
	R-Axis (Roll)	±720°
	B-Axis (Pitch/Yaw)	±720°
Max. Speed	T-Axis (Twist)	±720°
		2m/s
Wrist Hollow Dia.	φ70mm	
Allowable Moment	R-Axis	93.2N·m (9.5kgf·m)
	B-Axis	58.8N·m (6.0kgf·m)
	T-Axis	19.6N·m (2.0kgf·m)
Allowable Inertia (GD/4)	R-Axis	3.75kg·m
	B-Axis	2.225kg·m
	T-Axis	0.20kg·m
Approx. Robot mass	485kg	
Protective Construction	Basic axis: IP4N (exc. pressure switch unit)	
	Wrist axis: equivalent to IP67	
Location	Ambient Temperature	0 - +40°C
	Relative Humidity	20~80%RH (Non-condensing)
	Vibration	Less than 4.9m/s ² (0.5G)
	Others	To be no electric noise factor near.
Power Supply	3.0KVA	
Applicable Control Panel	DX200	

This table is written in SI units.
 But numbers in () are written in Gravity units.
 Repetitive Positioning Accuracy is based on ISO 9283.
 The robot position shown in this drawing is the original position.

type	Explosionproof authentication
YR-MPX2600-A00	TIIS
YR-MPX2600-B00	FM
YR-MPX2600-C00	ATEX
YR-MPX2600-E00	KCs
YR-MPX2600-G00	ITRI



View A (Scale 1/10)

Note1: You can put The Pressure switch unit (Delivered with the manipulator) anywhere except a manipulator moving area.
 (The allowable length of air tubes between manipulator and pressure switch unit is 20 meters at a maximum.)
 Note2: Refer to Dimension Diagram of Pressure switch unit (Delivered with the manipulator), Dwg. No. "HW1386250".

Note3: S-Axis motion range of Wall-mounted type is -90° ~ +90°.

1 All rights reserved.
 2 Please note that the data is subject to be deleted without advance notice.
 3 No warranty is given in relation to the data including the specification.
 4 We are not responsible for any damages or loss caused by the use of the data.

FOR STUDY PURPOSE ONLY

YASKAWA
 株式会社 安川電機

TITLE MOTOMAN-MPX2600
 DIMENSION DIAGRAM

DATE '17.03.30
 DWG.NO. HW1385479