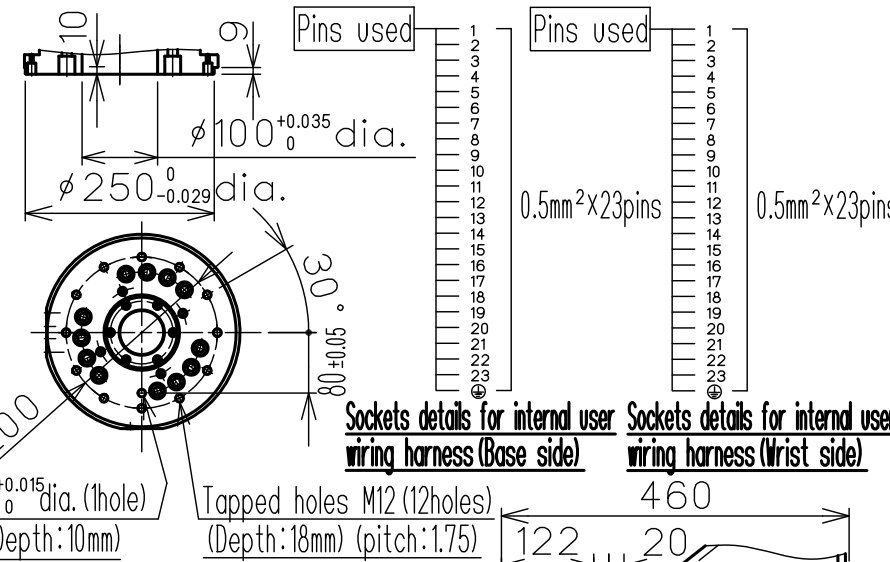
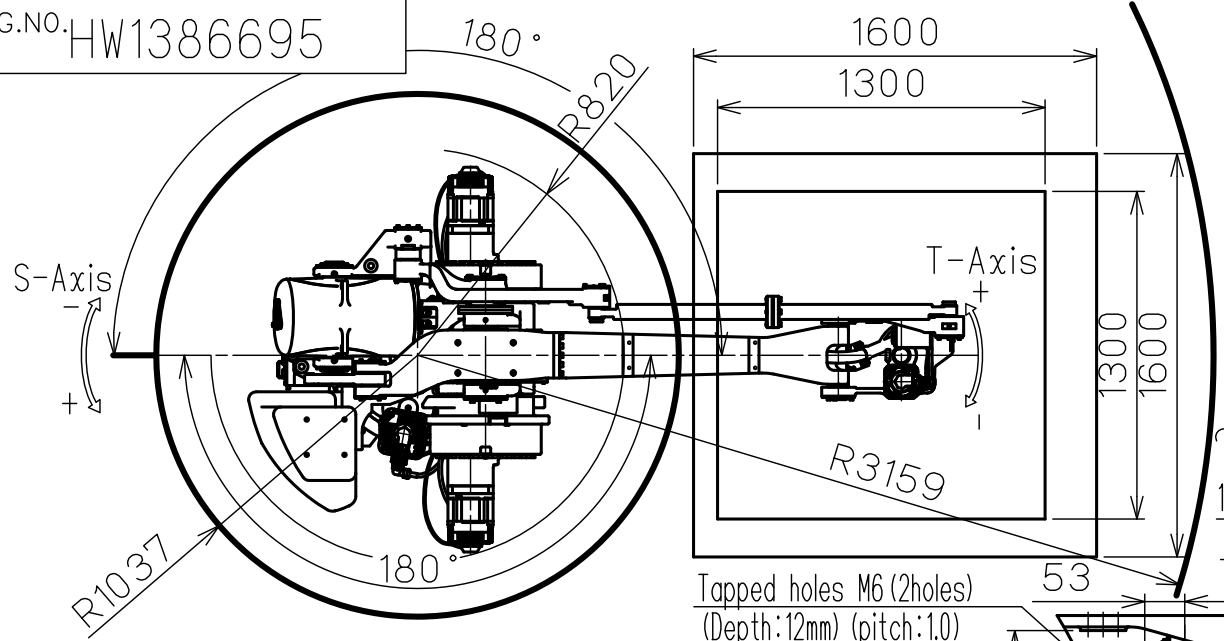


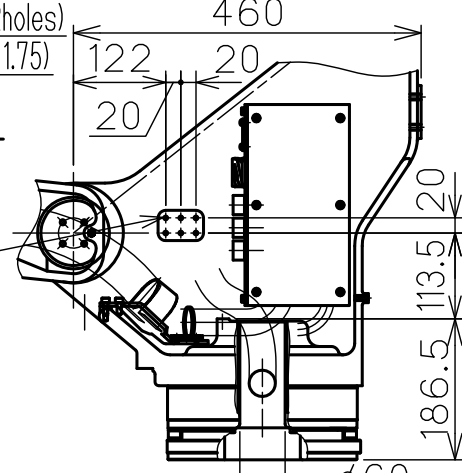
DWG.NO. HW1386695



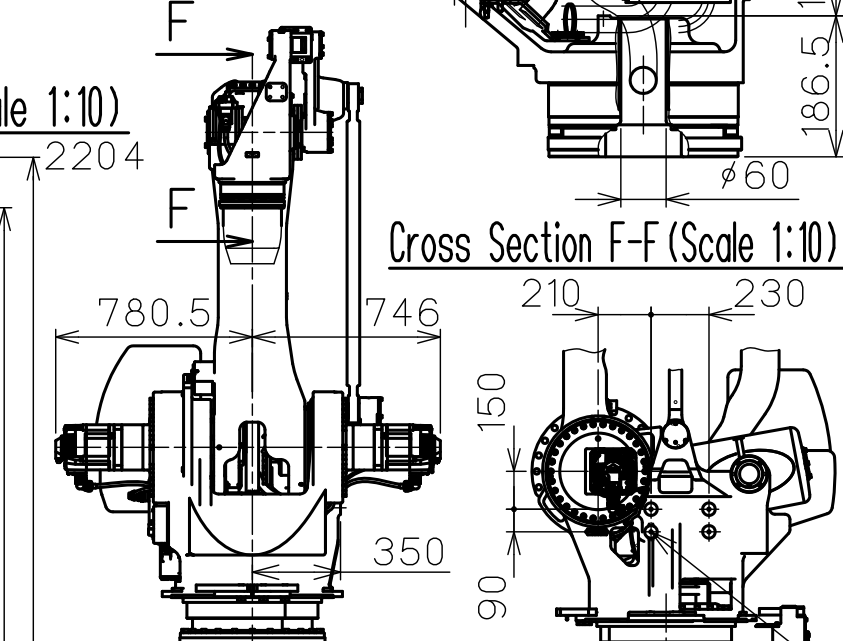
Item	Model	MOTOMAN-PL800
Configuration		Vertically articulated
Degree of Freedom		4
Payload Wrist		800kg
Repeatability (※1)		0.05mm
Range of Motion	S-Axis (Turning)	-180° - +180°
	L-Axis (Lower Arm)	-45° - +90°
	U-Axis (Upper-Arm)	-120° - +15.5°
	T-Axis (Wrist)	-360° - +360°
Max Speed	S-Axis	1.13rad/s (65°/s)
	L-Axis	1.13rad/s (65°/s)
	U-Axis	1.13rad/s (65°/s)
	T-Axis	2.18rad/s (125°/s)
Allowable Inertia (GD ² /4)	T-Axis	550kg·m ²
Approx. Robot mass		2560kg
Protected structure		IP54
Mounting method		Floor-mounted
Ambient Conditions	Temperature	0°C to +45°C
	Humidity	20%RH to 80%RH (Non-condensing)
	Vibration	4.9m/s ² (0.5G) or less
	Altitude	1000m or less
	Flatness for installation	0.5mm or less
Others		<ul style="list-style-type: none"> Free from explosive and corrosive gas or liquid. Free from dirt, dust, oil soot, or water. Free from excessive electrical noise (plasma). Free from strong magnetic field.
Power Requirements		8.0KVA
Controller		YRC1000

View B (Scale 1:10)
Detail of wrist frange

Tapped holes M6 (6holes)
(Depth:15mm) (pitch:1.0)



Cross Section F-F (Scale 1:10)

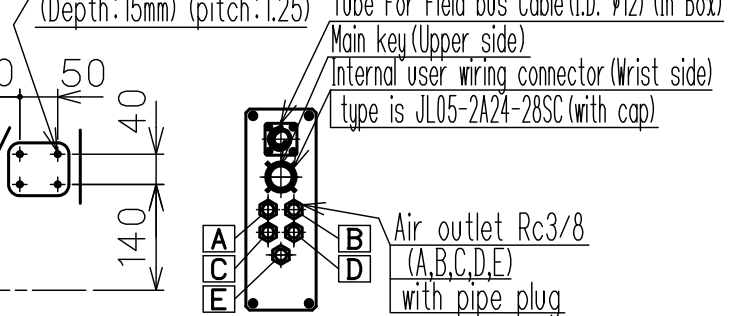


View A (Scale 1:20)

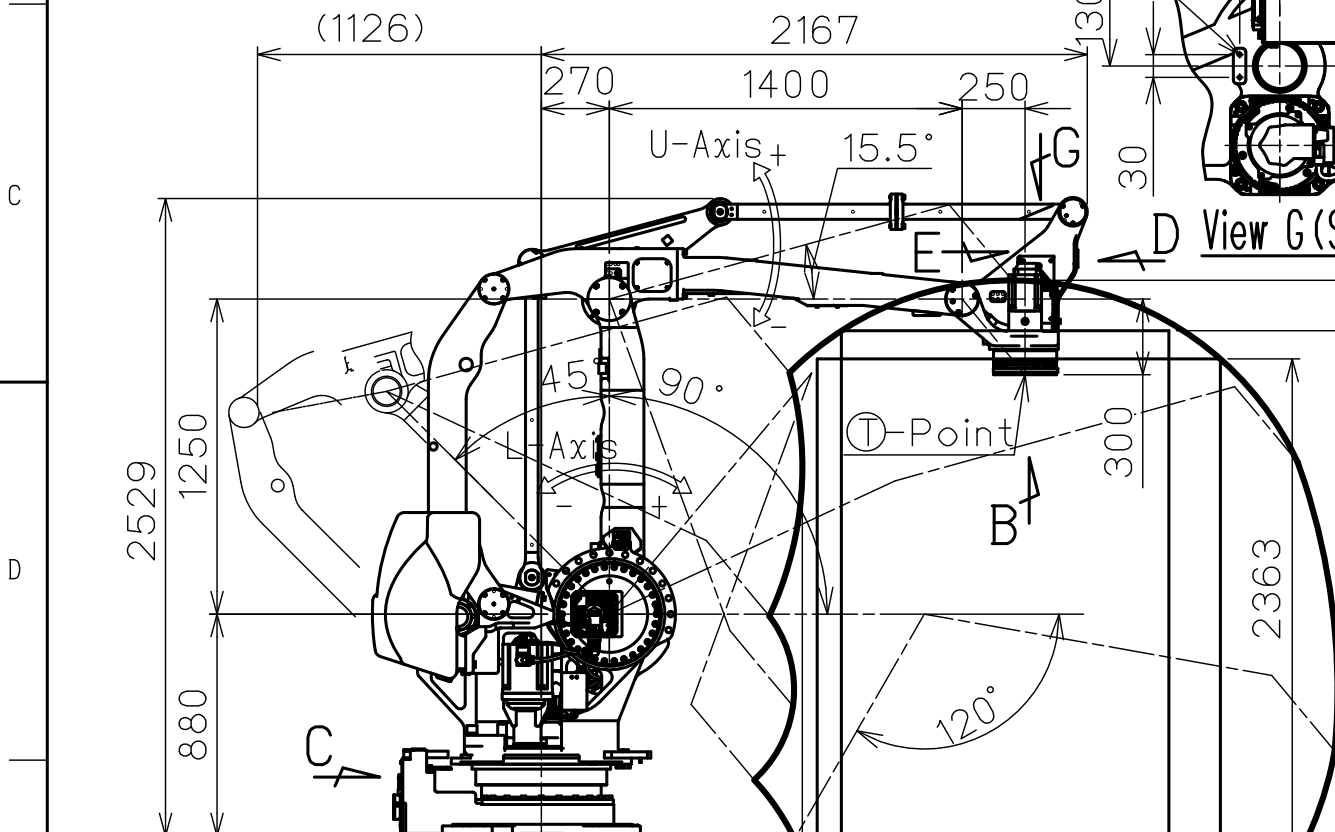
View D (Scale 1:10)

Type	Note
YR-1-04LXH800-A00	Standard

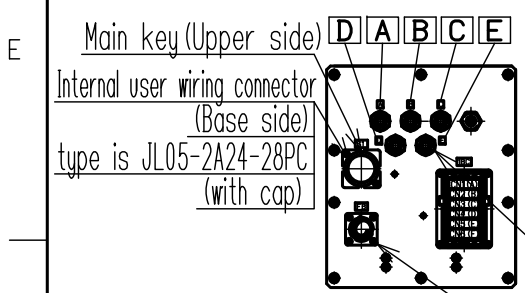
Tapped holes M8 (4holes)
(Depth:15mm) (pitch:1.25) Tube For Field bus Cable (I.D. #12) (In Box)



View E (Scale 1:10)



View C (Scale 1:10)

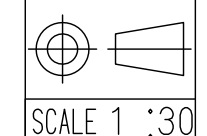


Main key (Upper side)
Internal user wiring connector (Base side)
type is JL05-2A24-28PC (with cap)

Air inlet Rc3/8 (A,B,C,D,E) with pipe plug
Tube For Field bus Cable (I.D. #12) (In Base)
Ⓧ-Point maximum envelope

Note:
1.All rights reserved.
2.Please note that the data is subject to be deleted without advance notice.
3.No warranty is given in relation to the data including the specification.
4.We are not responsible for any damages or loss caused by the use of the data.

FOR STUDY PURPOSE ONLY



YASKAWA
株式会社 安川電機

Reference Drawing

TITLE MOTOMAN-PL800
DIMENSION DIAGRAM

DRWN DATE Aug.6.'20
DWG.NO. HW1386695

SIZE A3