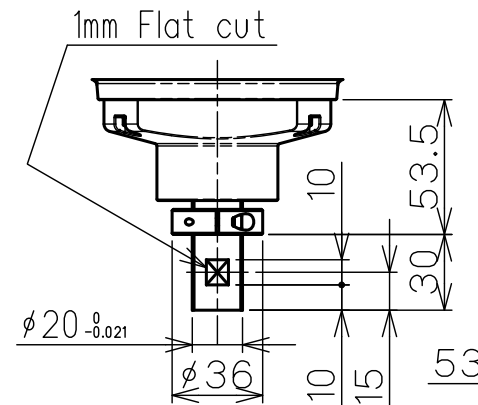


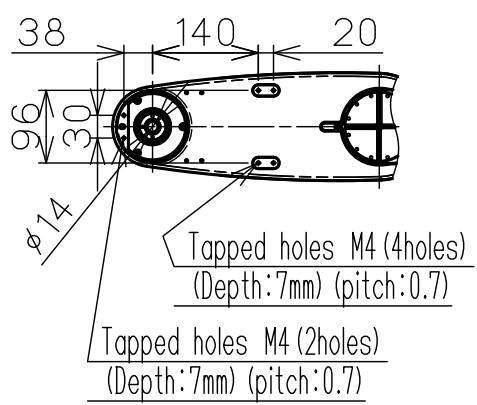
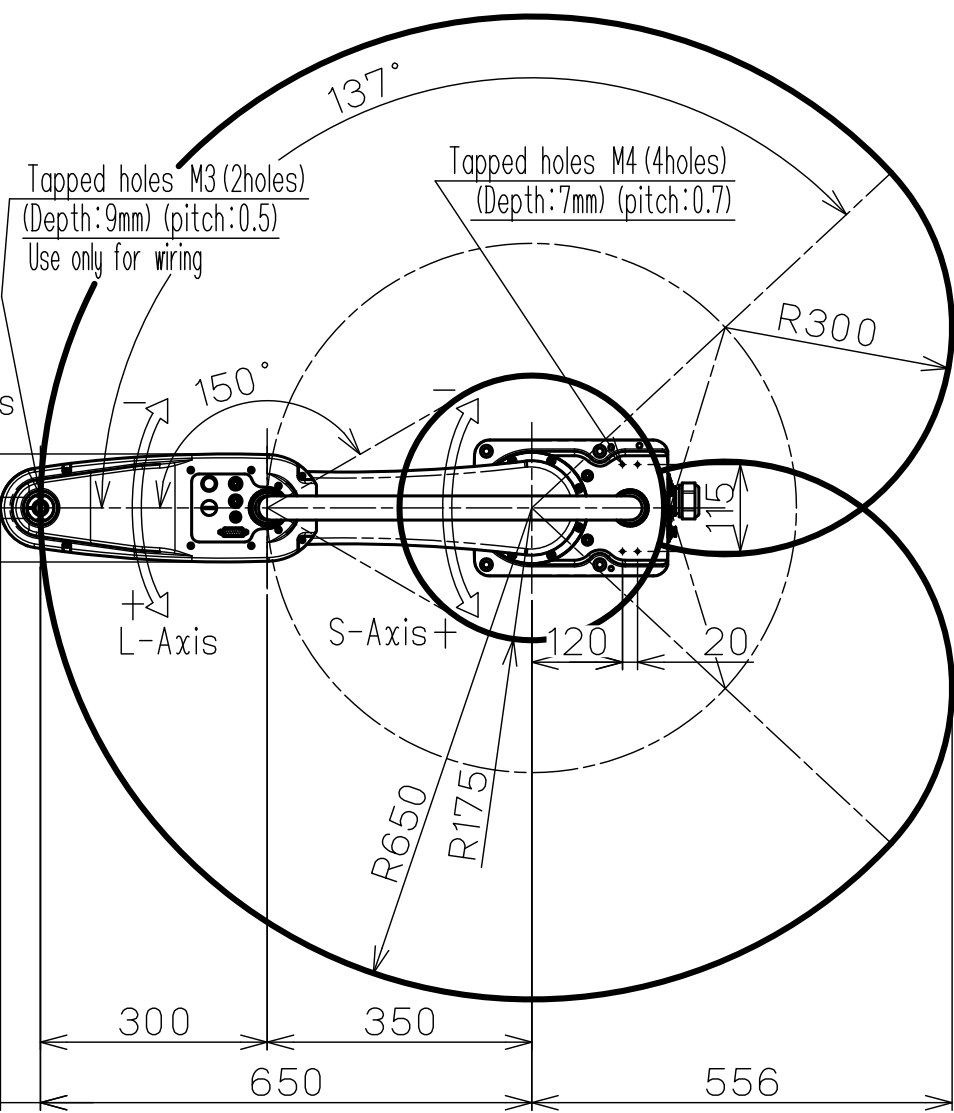
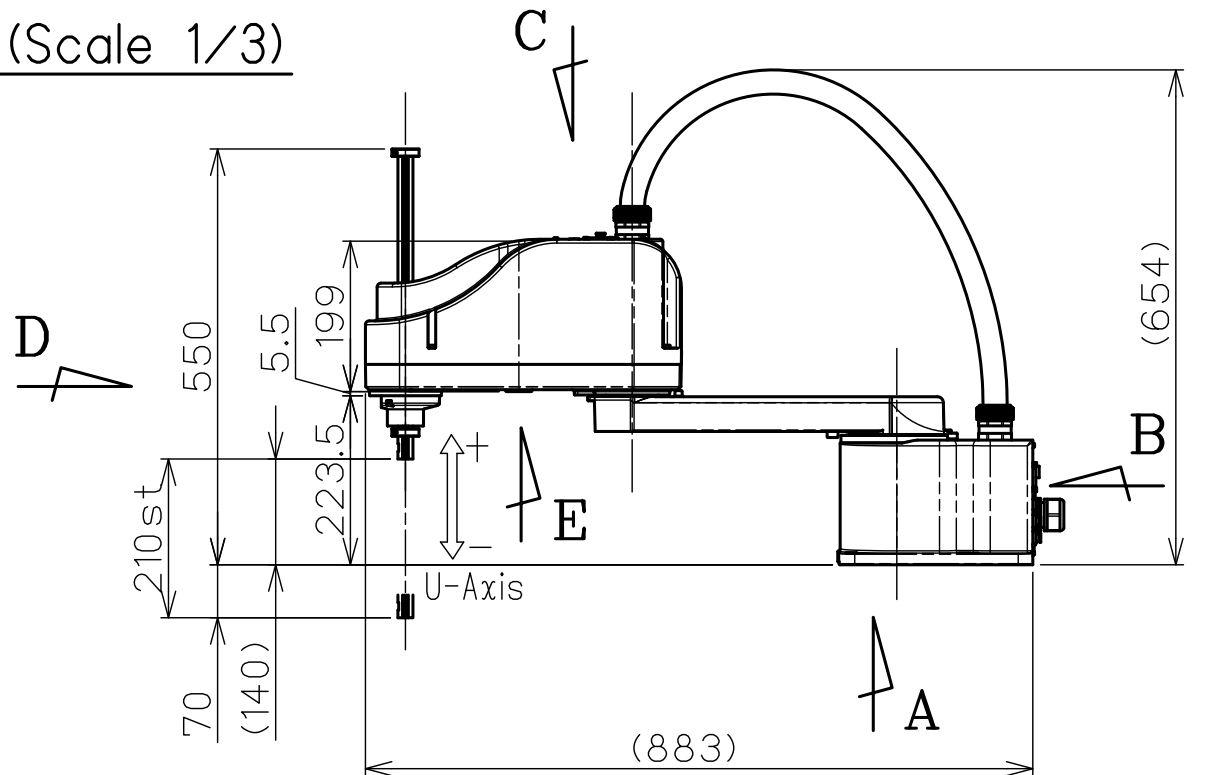
DWG.NO. HW1386206

- Brake release switch  
Only available in when the power supply is connected to connector base (option)
- Air outlet C  
Matching tube O.D. is 6mm
- Air outlet B  
Matching tube O.D. is 6mm
- Air outlet A  
Matching tube O.D. is 4mm
- Reserved cable connector  
DA-15SF-N  
Matching connector type is DA-15PF-N (JAE) (provided by users)

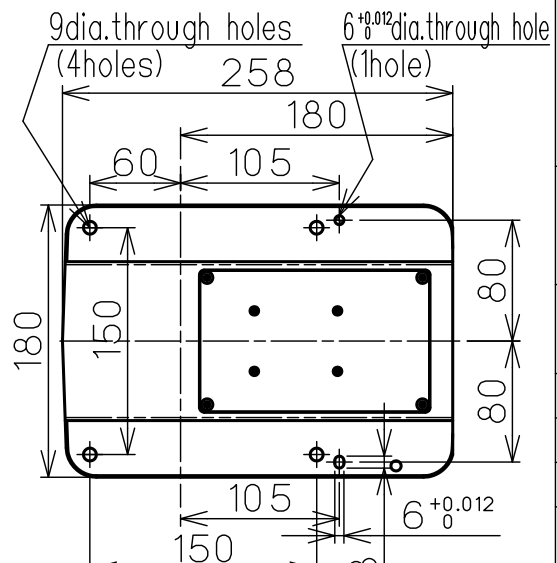
View C (Scale 1/3)



View D (Scale 1/3)



View E



View A (Scale 1/5)

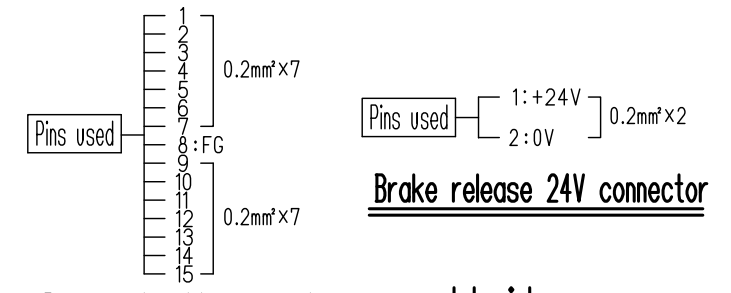
Type	Note
YR-1-04SX650-A00	STANDARD

- Brake release 24V connector  
CM10-R2P-D (D7)
- Reserved cable connector  
DA-15PF-N  
Matching connector type is DA-15SF-N (JAE) (provided by users)
- Air inlet A  
Matching tube O.D. is 4mm
- Air inlet B  
Matching tube O.D. is 6mm
- Air inlet C  
Matching tube O.D. is 6mm

View B (Scale 1/5)

Item	Model	MOTOMAN-SG650
Configuration		Horizontally Articulated
Degree of Freedom		4
Payload		6kg
Repeatability	S-Axis+L-Axis	0.01mm
	U-Axis	0.01mm
	R-Axis	0.004°
Range of Motion	S-Axis (first arm)	-137° - +137°
	L-Axis (second arm)	-150° - +150°
	U-Axis (Upper/lower)	210mm
	R-Axis (rotation)	-360° - +360°
Maximum Speed	S-Axis	7.85rad/s, 450° /s
	L-Axis	12.7rad/s, 730° /s
	U-Axis	1300mm/s
	R-Axis	43.6rad/s, 2500° /s
Allowable Inertia (GD <sup>2</sup> /4)	R-Axis	0.12kg·m <sup>2</sup>
Pressing Force	U-Axis	150N (15.3kgf)
Approx. Mass		19kg
Protected structure		IP20
Mounting method		Floor-mounted
Ambient Conditions	Temperature	0 to 40°C
	Humidity	20 to 80%RH (Non-Condensing)
	Vibration	4.9m/s <sup>2</sup> (0.5G) or less
	Altitude	1000m or less
	Others	<ul style="list-style-type: none"> <li>Free from explosive and corrosive gas or liquid.</li> <li>Free from dust,soot,oil,or water.</li> <li>Free from excessive electrical noise. (plasma)</li> <li>Free from strong magnetic fields.</li> </ul>
Power Requirements		1.0kVA
Controller		YRC1000micro

\*1 The manipulator is in the home position.

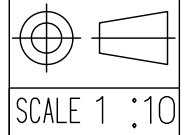


Reserved cable connector

Units : mm

注記  
1.本データの変更、転載を禁止いたします。  
2.本データは、予告なしに、削除する場合がございます。  
3.本データは仕様を保証するものではありません。  
4.本データの使用によって発生した一切の損害についての責任は負いかねます。

営業用資料



**YASKAWA**  
株式会社 安川電機

参考図

TITLE MOTOMAN-SG650  
DIMENSION DIAGRAM

DRWN DATE ' 19.11.7  
DWG.NO. HW1386206

SIZE A3