

DWG.NO. HW1385709

A

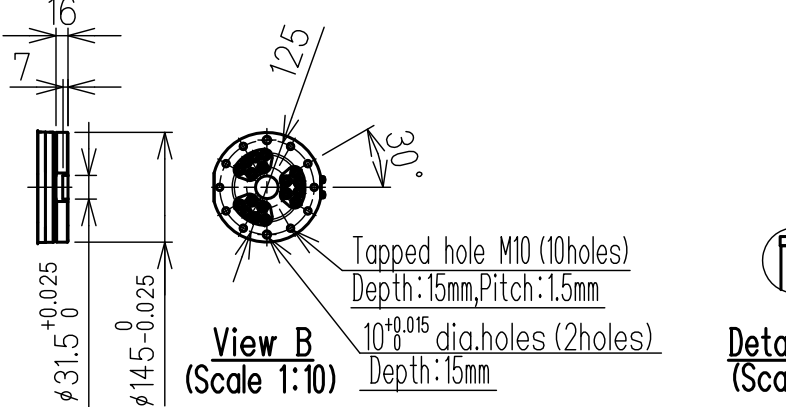
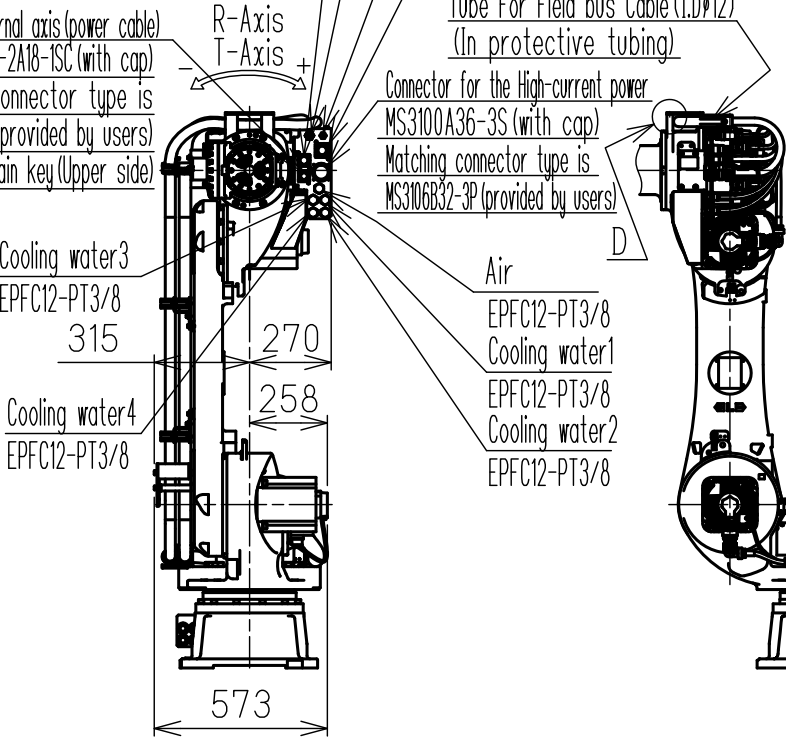
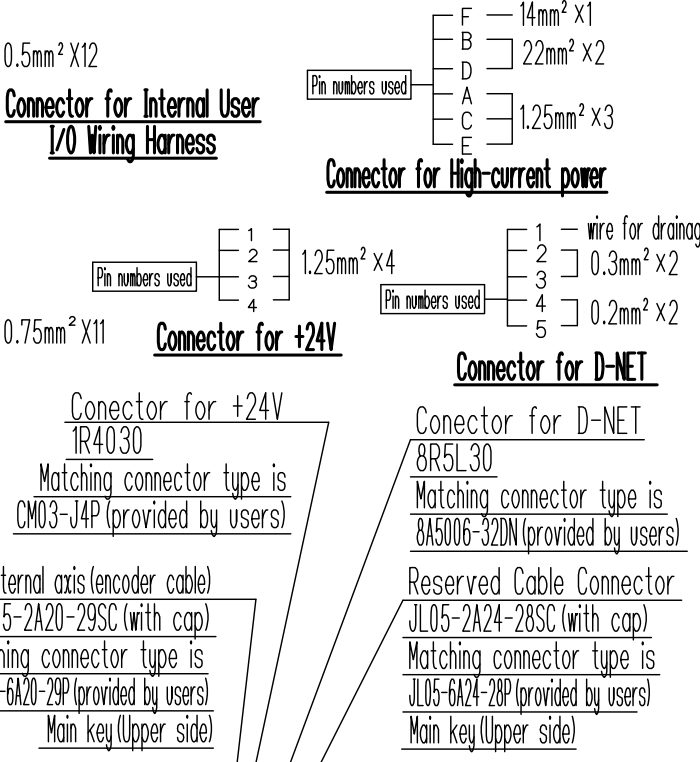
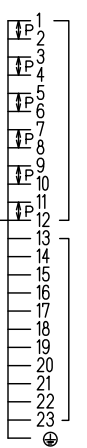
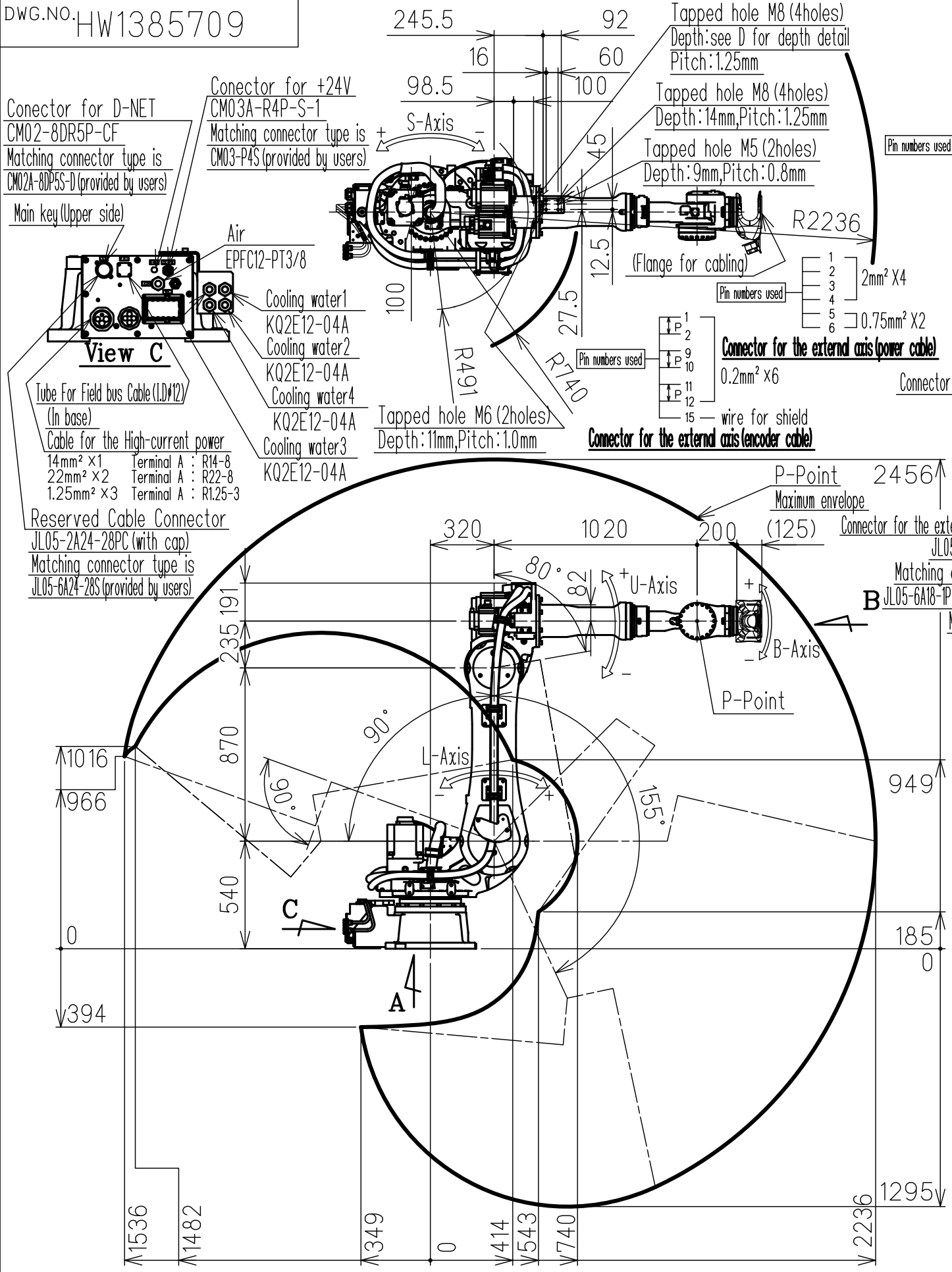
B

C

D

E

F



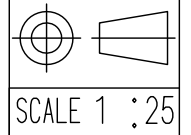
Item	Model	MOTOMAN-SP100	
Flange for cabling	Not-equipped	equipped	
Configuration	Vertically articulated		
Degree of Freedom	6		
Payload	Wrist	110kg	100kg
	On U-arm	10kg	
Repeatability (※1)	0.03mm		
Range of Motion	S-Axis	-180° - +180°	
	L-Axis	-90° - +155°	
	U-Axis	-80° - +90°	
	R-Axis	-360° - +360°	-205° - +205°
	B-Axis	-125° - +125°	-120° - +120°
	T-Axis	-360° - +360°	-205° - +205°
Max Speed	S-Axis	2.45 rad/s, 140°/s	
	L-Axis	1.92 rad/s, 110°/s	
	U-Axis	2.27 rad/s, 130°/s	
	R-Axis	3.05 rad/s, 175°/s	
	T-Axis	3.05 rad/s, 175°/s	
Allowable Moment	R-Axis	72N·m (73.5kgf·m)	696N·m (71kgf·m)
	B-Axis	72N·m (73.5kgf·m)	696N·m (71kgf·m)
	T-Axis	294N·m (30kgf·m)²	
Allowable Inertia (GD²/4)	R-Axis	60kg·m²	58kg·m²
	B-Axis	60kg·m²	58kg·m²
	T-Axis	33.7kg·m²	33kg·m
Approx. Robot mass	660kg		
Protected structure	Body: IP54 Wrist: IP67		
Mounting method	Floor-mounted		
Ambient Conditions	Temperature	0°C to +45°C	
	Humidity	20%RH to 80%RH (Non-condensing)	
	Vibration	4.9m/s² (0.5G) or less	
	Altitude	1000m or less	
	Flatness for installation	0.5mm or less	
Others	<ul style="list-style-type: none"> •Free from dirt, dust, oil, soot, or water. •Free from explosive and corrosive gas or liquid. •Free from excessive electrical noise (plasma). •Free from strong magnetic fields. 		
Power Requirements	5.0kVA		
Controller	YRC1000		

※1 Repeatability is conformed to ISO 9283. Unit: mm
 ※2 The manipulator is in the home position.

Type	Note
YR-1-06VX110-A00	Default Specifications

Note:
 1. All rights reserved.
 2. Please note that the data is subject to be deleted without advance notice.
 3. No warranty is given in relation to the data including the specification.
 4. We are not responsible for any damages or loss caused by the use of the data.

FOR STUDY PURPOSE ONLY



YASKAWA
 株式会社安川電機

Reference Drawing

TITLE MOTOMAN-SP100
 DIMENSION DIAGRAM

DRWN DATE Oct. 2, '17
 DWG.NO. HW1385709

SIZE A3