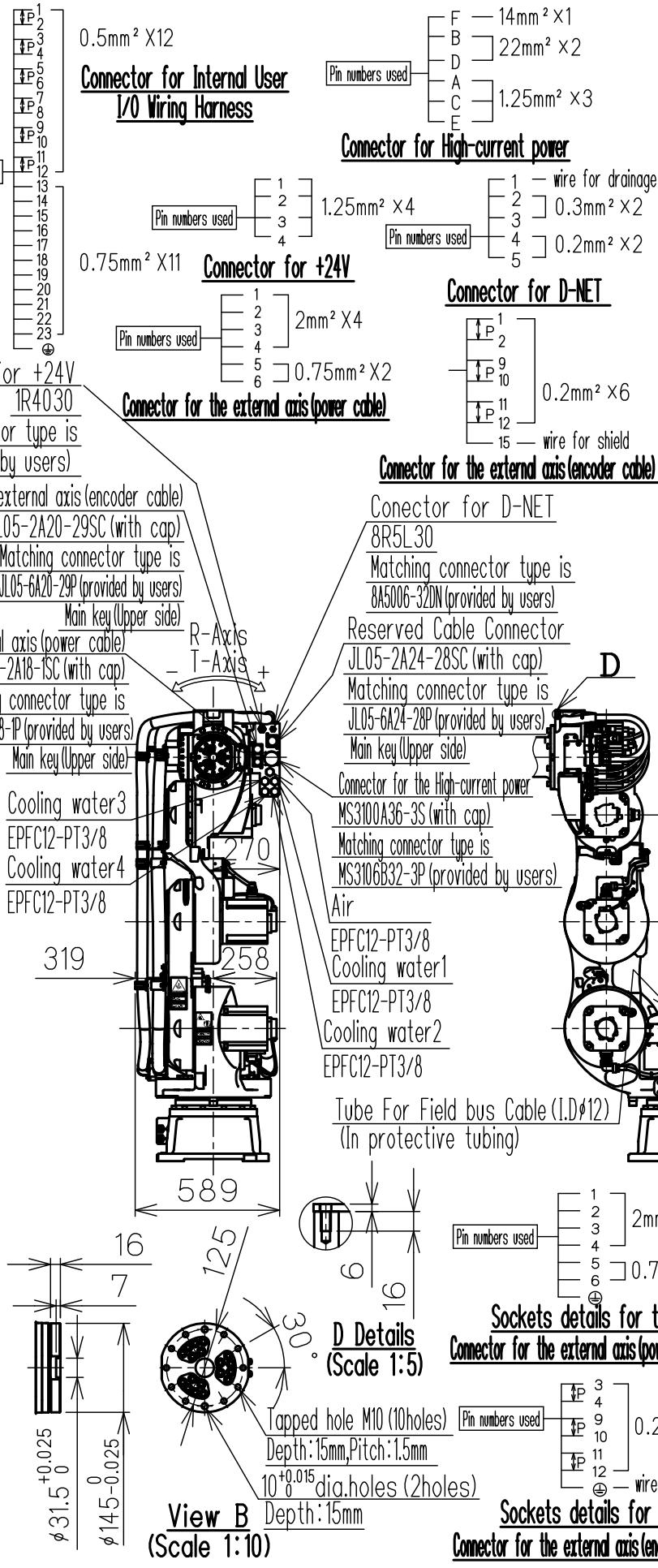
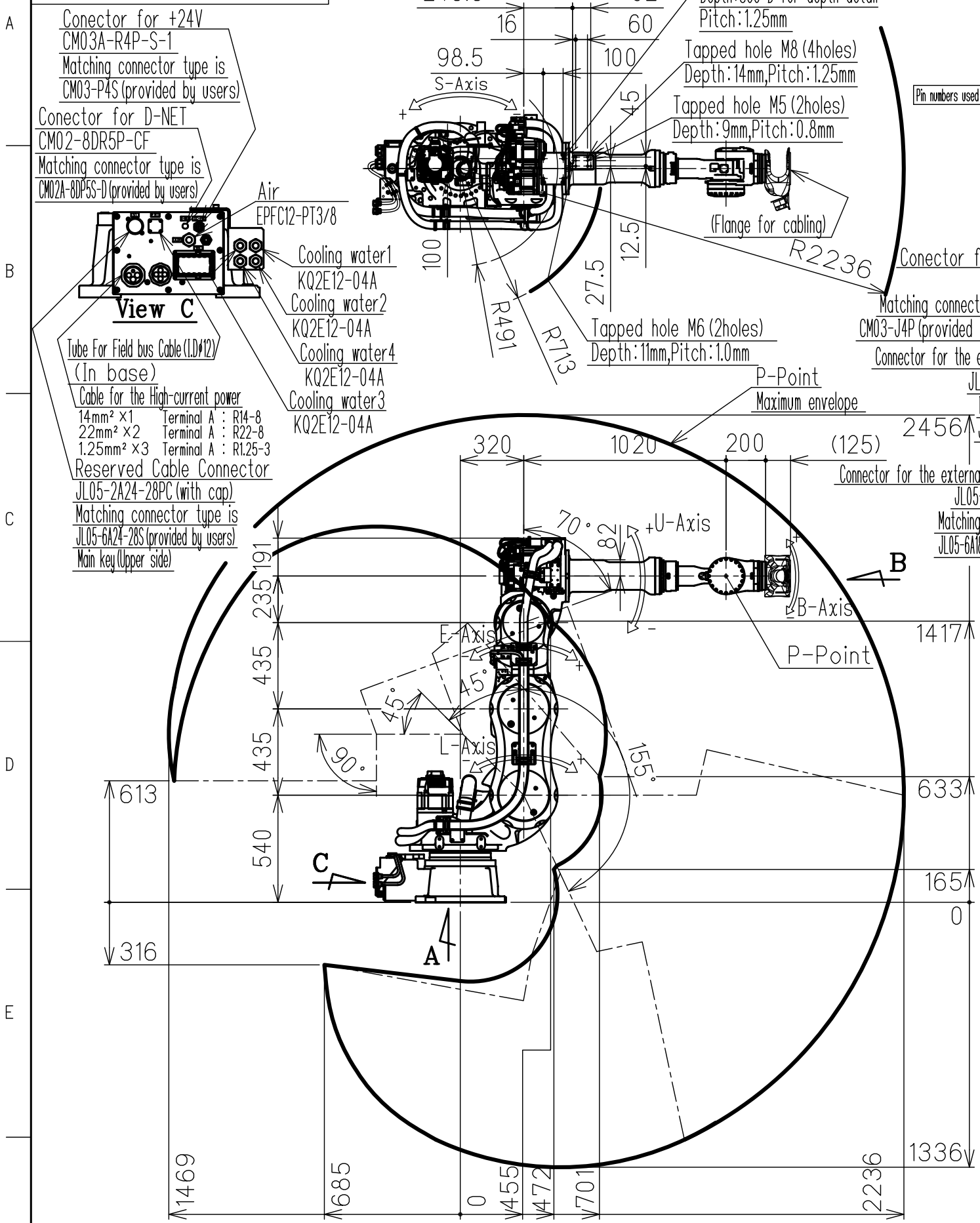
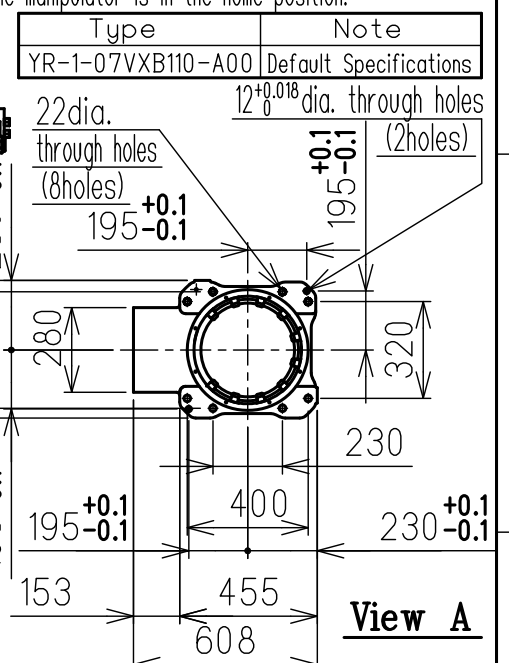


DWG.NO. HW1385711

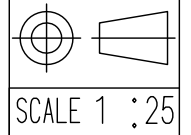


| Item | Model | MOTOMAN-SP100B | |
|---------------------------|--|---------------------------------|--|
| Flange for cabling | Not-equipped | equipped | |
| Configuration | Vertically articulated | | |
| Degree of Freedom | 7 | | |
| Payload | Wrist | 110kg | |
| | On-Uarm | 10kg | |
| Repeatability (*1) | 0.04mm | | |
| Range of Motion | S-Axis | -180° - +180° | |
| | L-Axis | -45° - +155° | |
| | E-Axis | -45° - +120° | |
| | U-Axis | -70° - +90° | |
| | R-Axis | -360° - +360° | |
| | B-Axis | -125° - +125° | |
| | T-Axis | -360° - +360° | |
| Max Speed | S-Axis | 2.45 rad/s, 140°/s | |
| | L-Axis | 1.92 rad/s, 110°/s | |
| | E-Axis | 1.92 rad/s, 110°/s | |
| | U-Axis | 2.27 rad/s, 130°/s | |
| | R-Axis | 3.05 rad/s, 175°/s | |
| | B-Axis | 3.05 rad/s, 175°/s | |
| | T-Axis | 4.45 rad/s, 255°/s | |
| Allowable Moment | R-Axis | 721N·m (73.5kgf·m) | |
| | B-Axis | 721N·m (73.5kgf·m) | |
| | T-Axis | 294N·m (30kgf·m) | |
| Allowable Inertia (GD²/4) | R-Axis | 60kg·m² | |
| | B-Axis | 60kg·m² | |
| | T-Axis | 33.7kg·m² | |
| Approx. Robot mass | 790kg | | |
| Protected structure | Body: IP54 Wrist: IP67 | | |
| Mounting method | Floor-mounted | | |
| Ambient Conditions | Temperature | 0°C to +45°C | |
| | Humidity | 20%RH to 80%RH (Non-condensing) | |
| | Vibration | 4.9m/s² (0.5G) or less | |
| | Altitude | 1000m or less | |
| | Flatness for installation | 0.5mm or less | |
| Others | • Free from dirt, dust, oil spout, or water. | | |
| | • Free from explosive and corrosive gas or liquid. | | |
| Power Requirements | 5.0kVA | | |
| Controller | YRC1000 | | |



注記
 1.本データの変更、転載を禁止いたします。
 2.本データは、予告なしに、削除する場合がございます。
 3.本データは仕様を保証するものではありません。
 4.本データの使用によって発生した一切の損害に
 ついての責任は負いかねます。

営業用資料



参考図

TITLE MOTOMAN-SP100B
 DIMENSION DIAGRAM

DRWN DATE Feb.13.'18
 DWG.NO. HW1385711

SIZE A3