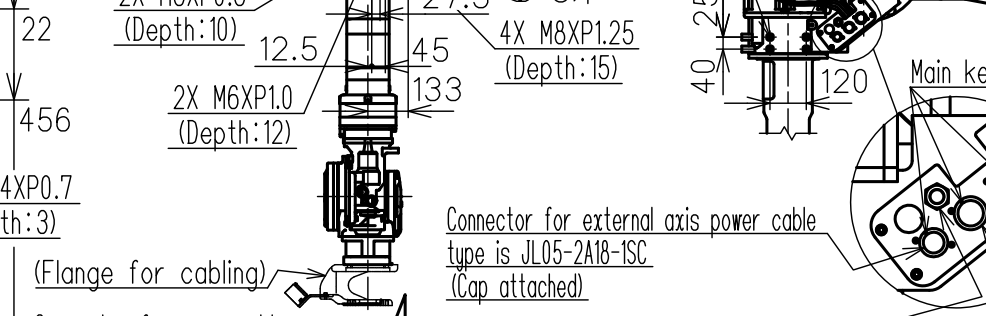
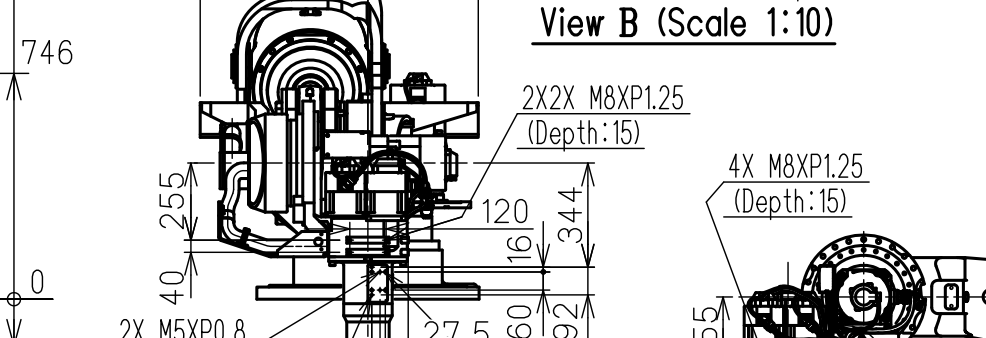
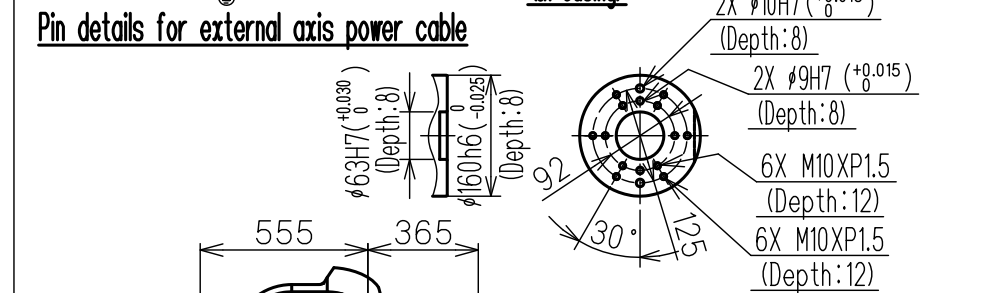
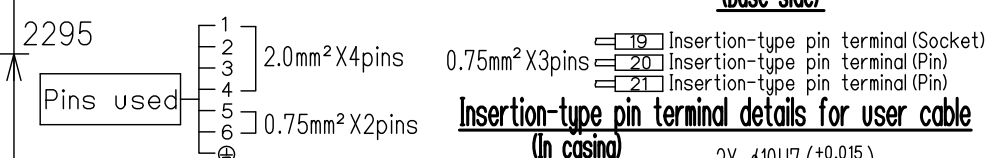
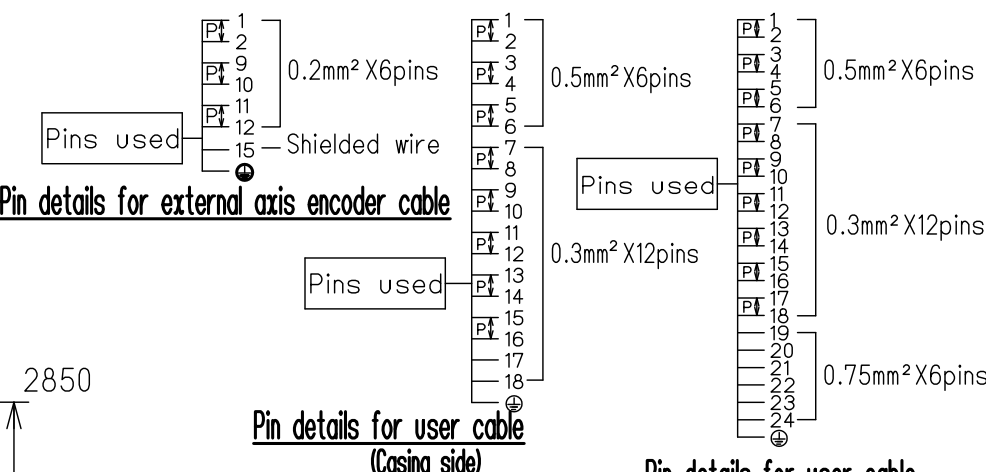
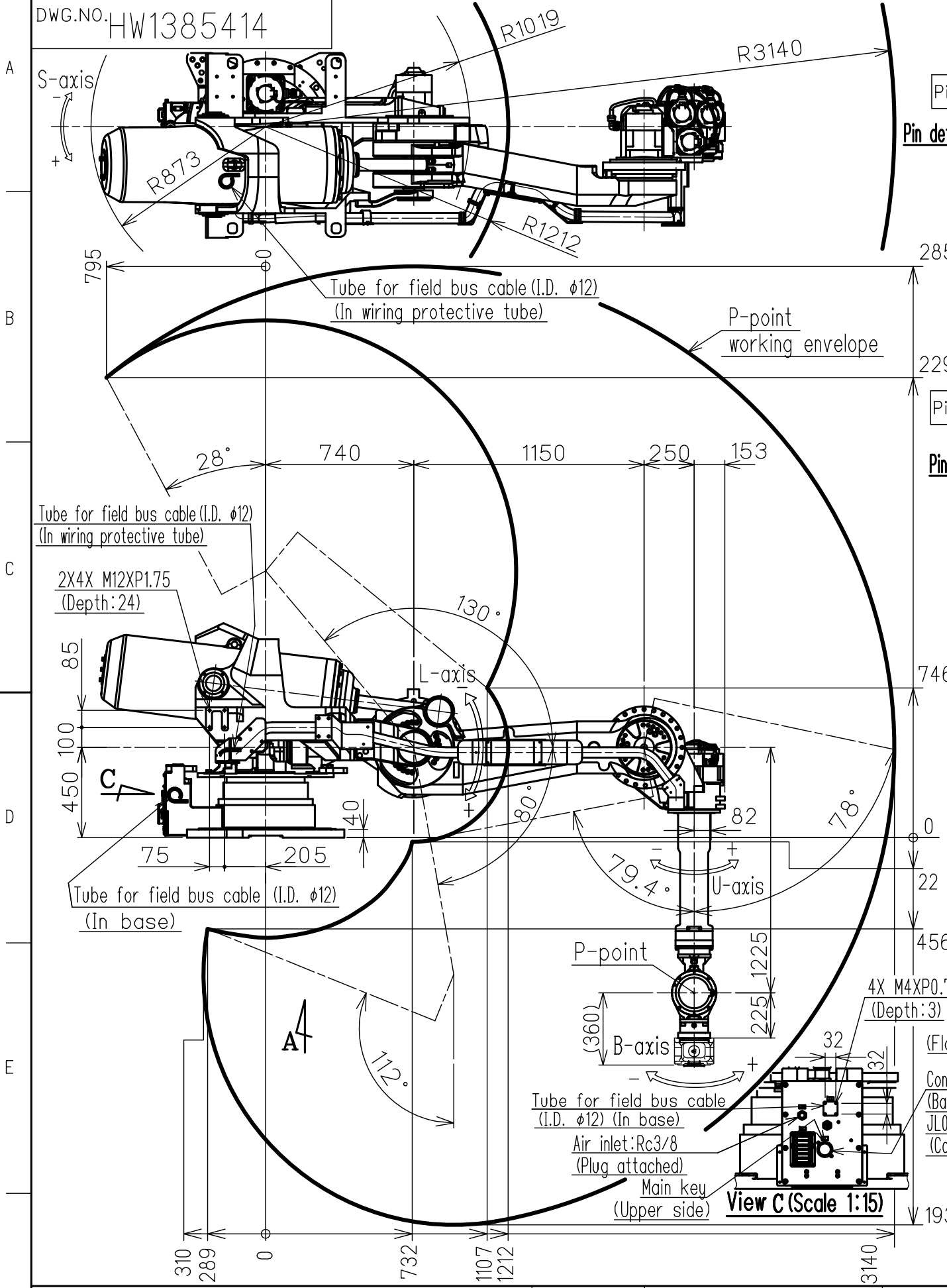


DWG.NO. HW1385414



Item	Model	MOTOMAN-SP150R
Flange for cabling	not-equipped	equipped
Configuration	Vertically articulated	
Degree of freedom	6	
Payload	Wrist	165 kg 150 kg
	On U-arm	30 kg
Repeatability (*1)	0.05 mm	
Range of motion	S-axis (Turning)	-180° - +180°
	L-axis (Lower arm)	-130° - +80°
	U-axis (Upper arm)	-79.4° - +78°
	R-axis (Roll)	-360° - +360° -205° - +205°
	B-axis (Pitch/Yaw)	-130° - +130° -120° - +120°
	T-axis (Twist)	-360° - +360° -180° - +180°
Maximum speed	S-axis	1.83 rad/s, 105°/s
	L-axis	1.83 rad/s, 105°/s
	U-axis	1.83 rad/s, 105°/s
	R-axis	3.05 rad/s, 175°/s
	B-axis	2.62 rad/s, 150°/s
	T-axis	4.19 rad/s, 240°/s
Allowable moment	R-axis	921 N·m (94kgf·m) 868 N·m (89kgf·m)
	B-axis	921 N·m (94kgf·m) 868 N·m (89kgf·m)
	T-axis	490 N·m (50 kgf·m)
Allowable inertia (GD ² /4)	R-axis	85 kg·m ² 83 kg·m ²
	B-axis	85 kg·m ² 83 kg·m ²
	T-axis	45 kg·m ²
Mass	1760kg	
Protection rating	Body:IP54 Wrist:IP67	
Mounting method	Shelf-mounted	
Ambient conditions	Temperature	0°C - +45°C
	Humidity	20%RH - 80%RH (No-condensing)
	Vibration acceleration	4.9m/s ² (0.5G) or less
	Altitude	1000m or less
	Flatness for installation	0.5mm or less
	Others	<ul style="list-style-type: none"> Free from dirt, dust, oil soot, or water Free from explosive and corrosive gas or liquid Free from excessive electrical noise (plasma) Free from strong magnetic field
Power requirements	5.0KVA	
Applicable controller	YRC1000	

*1 Repeatability conforms to ISO 9283.
*2 The manipulator is in the home position in this drawing.

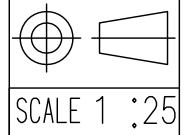
Units:mm

Type	Specification
YR-1-06VR165-A00	Standard

Connector for user cable (Casing side) type is JL05-2A22-14SC (Cap attached)

Note:
1. All rights reserved.
2. Please note that the data is subject to be deleted without advance notice.
3. No warranty is given in relation to the data including the specification.
4. We are not responsible for any damages or loss caused by the use of the data.

FOR STUDY PURPOSE ONLY



YASKAWA
株式会社 安川電機

Reference Drawing

TITLE MOTOMAN-SP150R
DIMENSION DIAGRAM

DRWN DATE Oct.03.'17
DWG.NO. HW1385414

SIZE A3