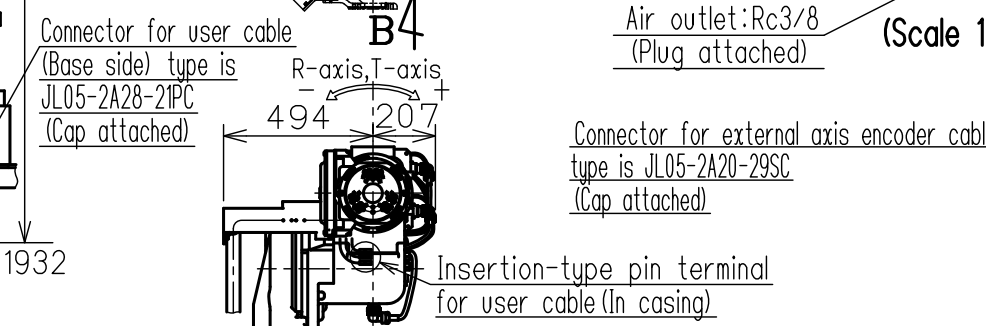
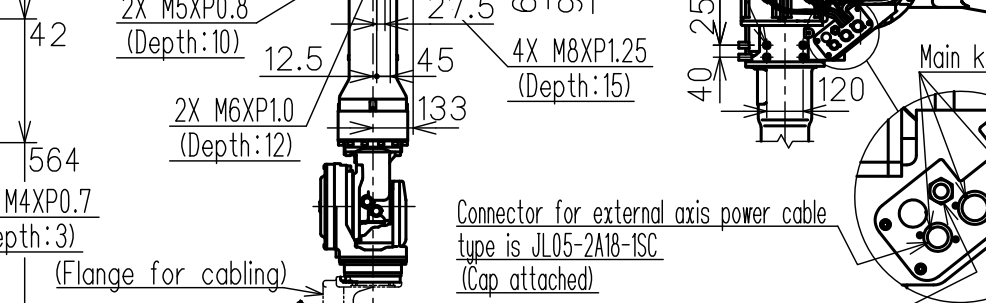
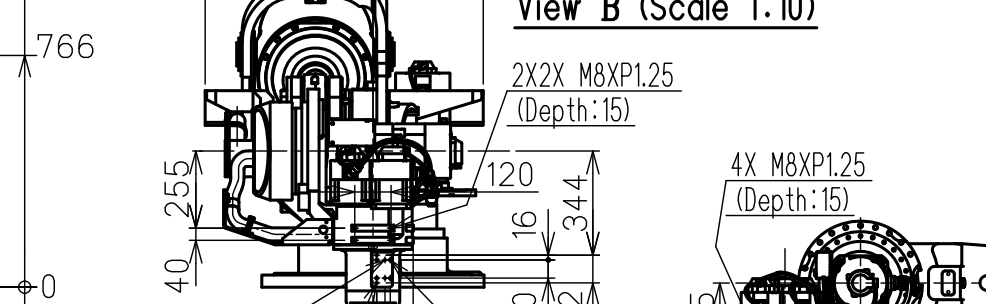
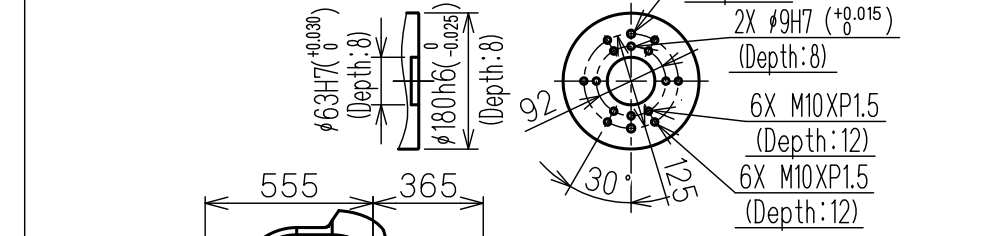
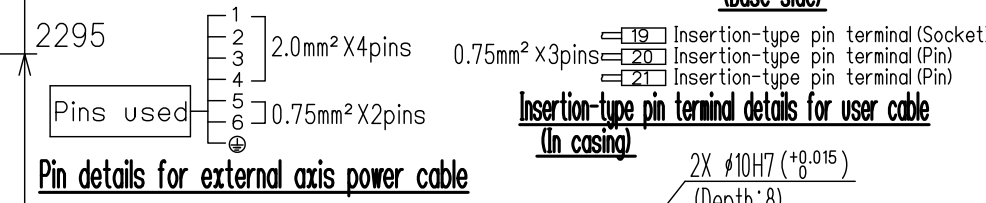
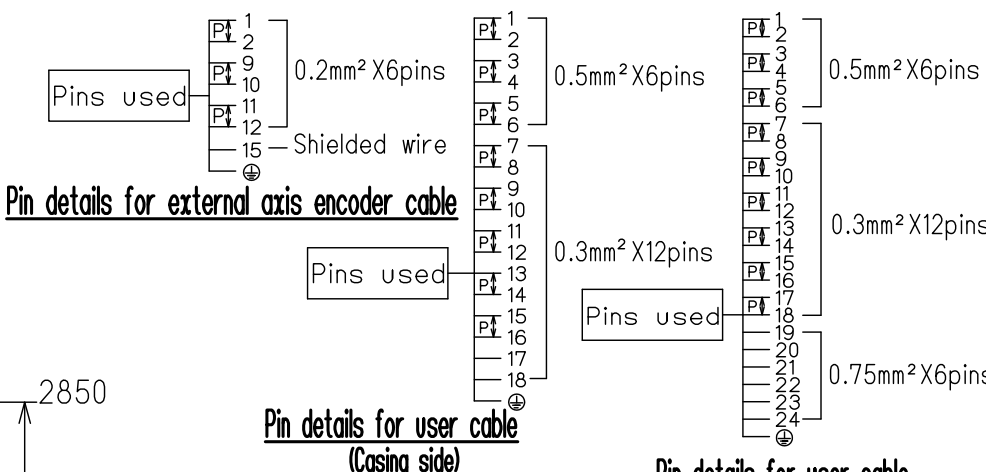
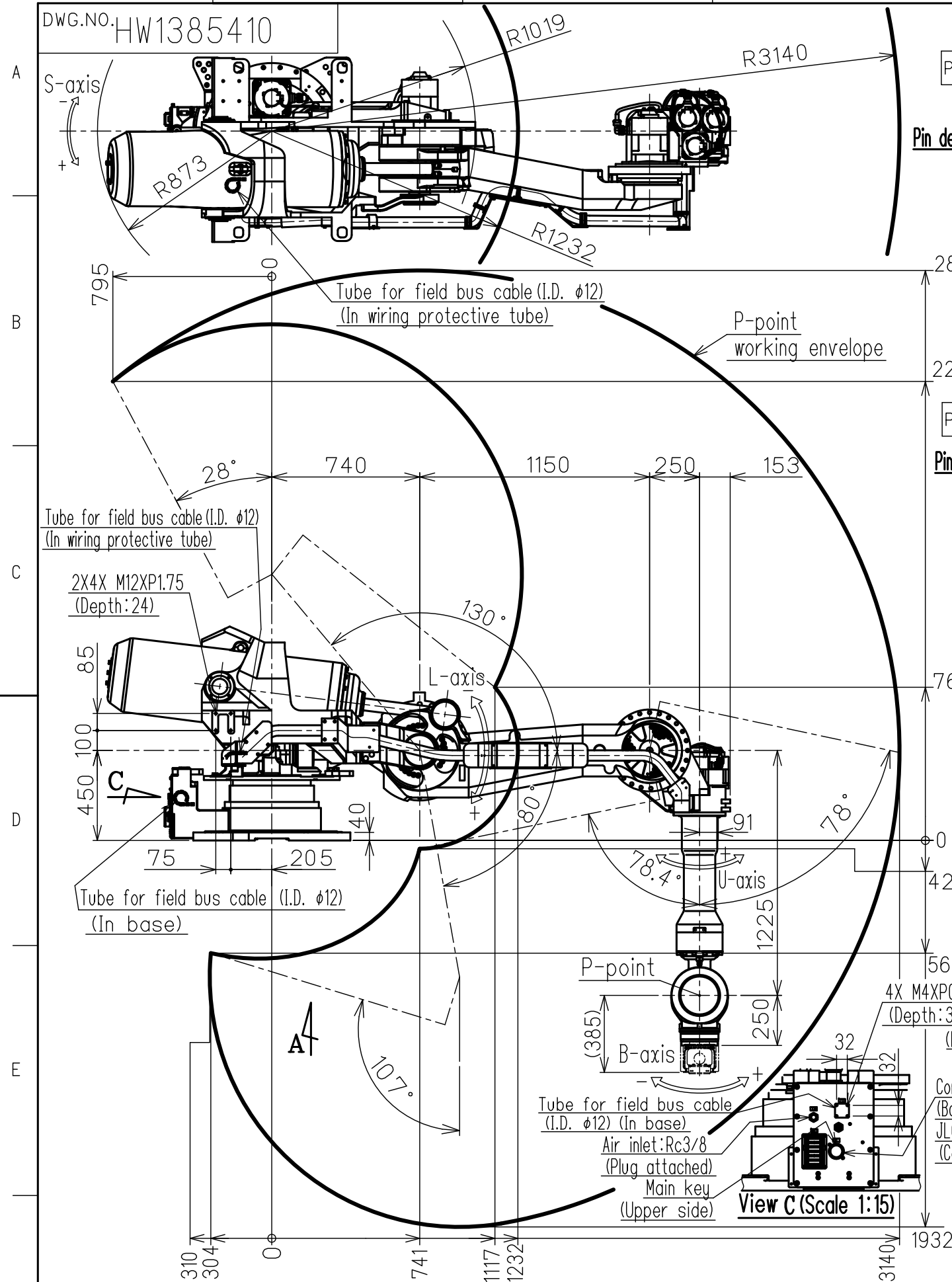
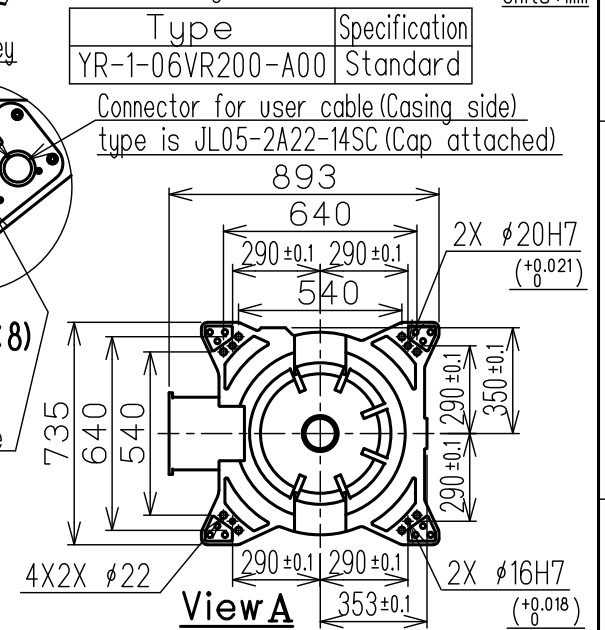


DWG.NO. HW1385410



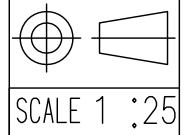
Item	Model	MOTOMAN-SP185R
Flange for cabling	not-equipped	equipped
Configuration	Vertically articulated	
Degree of freedom	6	
Payload	Wrist	200 kg 185 kg
	On U-arm	30 kg
Repeatability (*1)	0.05 mm	
Range of motion	S-axis (Turning)	-180° - +180°
	L-axis (Lower arm)	-130° - +80°
	U-axis (Upper arm)	-78.4° - +78°
	R-axis (Roll)	-360° - +360° -205° - +205°
	B-axis (Pitch/Yaw)	-125° - +125° -120° - +120°
Maximum speed	S-axis	1.57 rad/s, 90°/s
	L-axis	1.48 rad/s, 85°/s
	U-axis	1.48 rad/s, 85°/s
	R-axis	2.09 rad/s, 120°/s
	B-axis	2.09 rad/s, 120°/s
Allowable moment	R-axis	1344 N·m (137kgf·m) 1291 N·m (132kgf·m)
	B-axis	1344 N·m (137kgf·m) 1291 N·m (132kgf·m)
	T-axis	715 N·m (73kgf·m)
Allowable inertia (GD <sup>2</sup> /4)	R-axis	143 kg·m <sup>2</sup> 141 kg·m <sup>2</sup>
	B-axis	143 kg·m <sup>2</sup> 141 kg·m <sup>2</sup>
Mass	1830 kg	
Protection rating	Body:IP54 Wrist:IP67	
Mounting method	Shelf-mounted	
Ambient conditions	Temperature	0°C - +45°C
	Humidity	20%RH - 80%RH (No-condensing)
	Vibration acceleration	4.9m/s <sup>2</sup> (0.5G) or less
	Altitude	1000m or less
	Flatness for installation	0.5mm or less
Others	<ul style="list-style-type: none"> <li>Free from dirt, dust, oil soot, or water</li> <li>Free from explosive and corrosive gas or liquid</li> <li>Free from excessive electrical noise (plasma)</li> <li>Free from strong magnetic field</li> </ul>	
Power requirements	5.0KVA	
Applicable controller	YRC1000	

\*1 Repeatability conforms to ISO 9283.  
 \*2 The manipulator is in the home position in this drawing.  
 Units:mm



Note:  
 1. All rights reserved.  
 2. Please note that the data is subject to be deleted without advance notice.  
 3. No warranty is given in relation to the data including the specification.  
 4. We are not responsible for any damages or loss caused by the use of the data.

FOR STUDY PURPOSE ONLY



Reference Drawing

TITLE MOTOMAN-SP185R  
 DIMENSION DIAGRAM

DRWN DATE Oct.03.'17  
 DWG.NO. HW1385410

SIZE A3