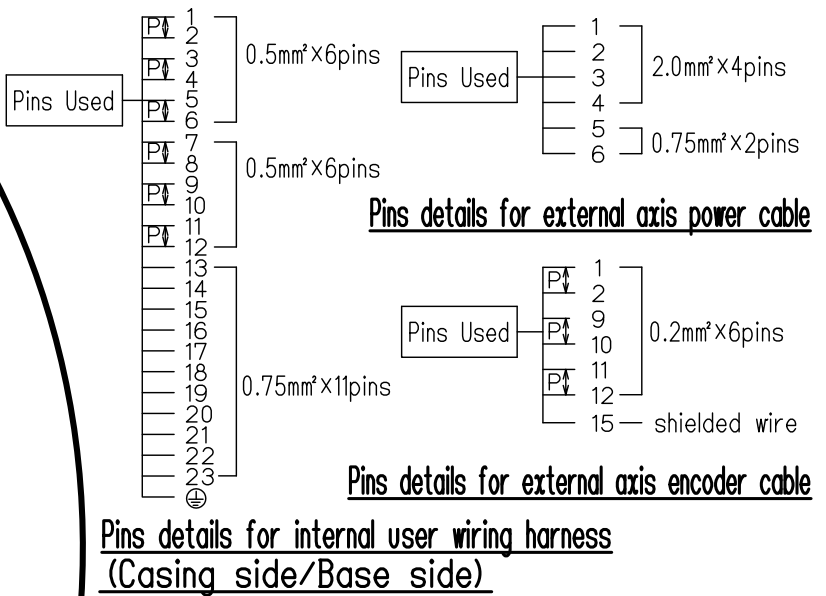
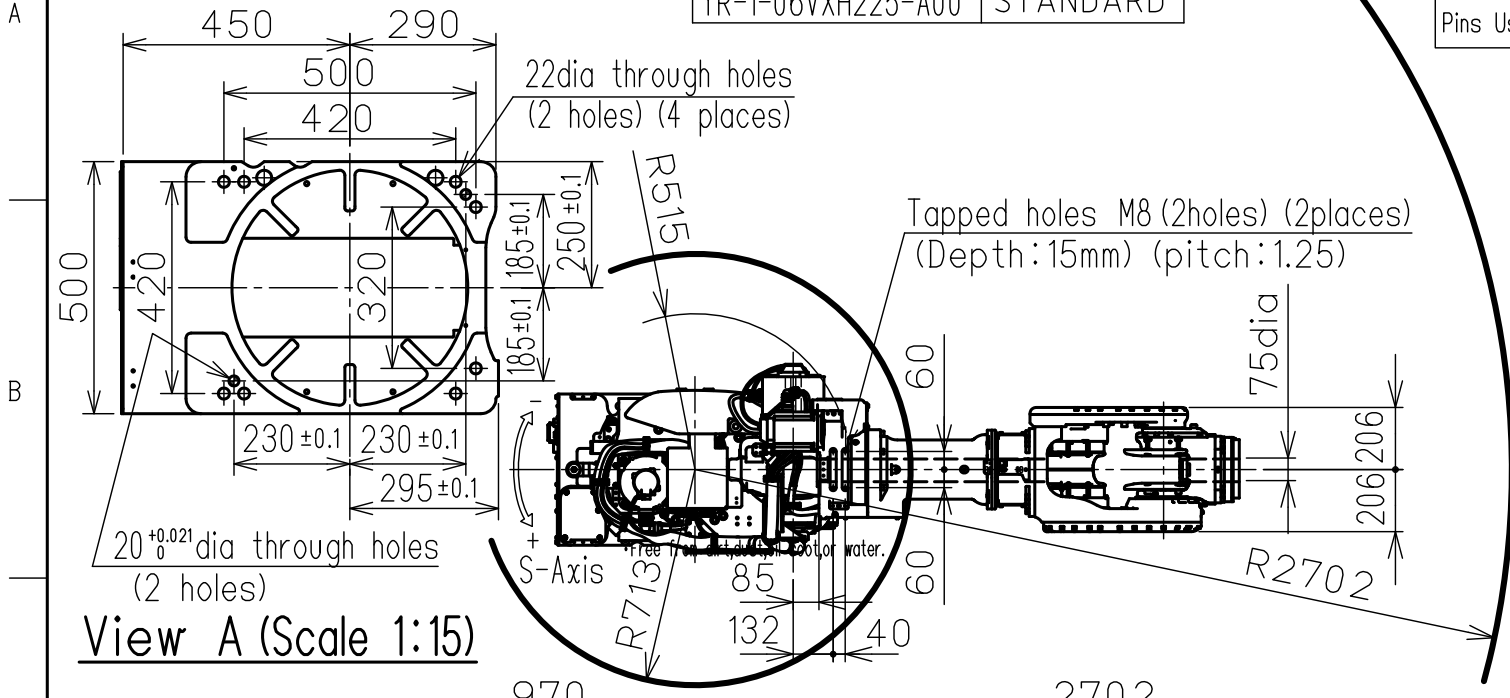
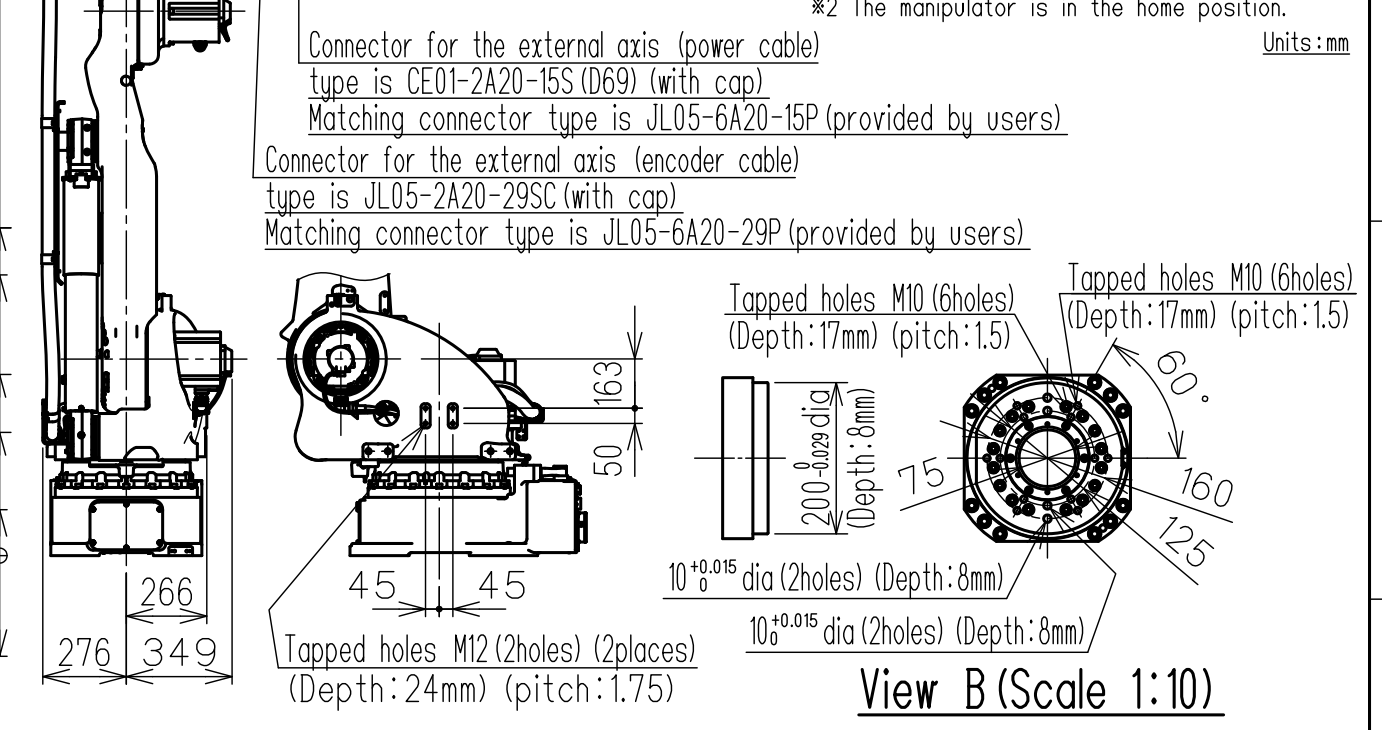
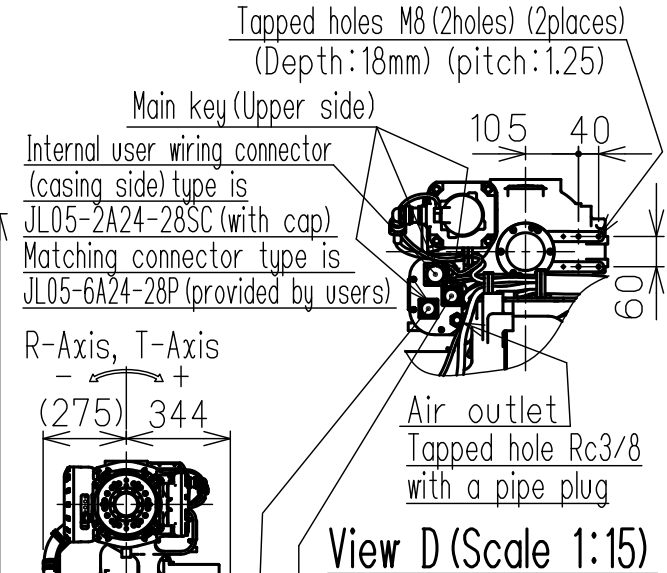
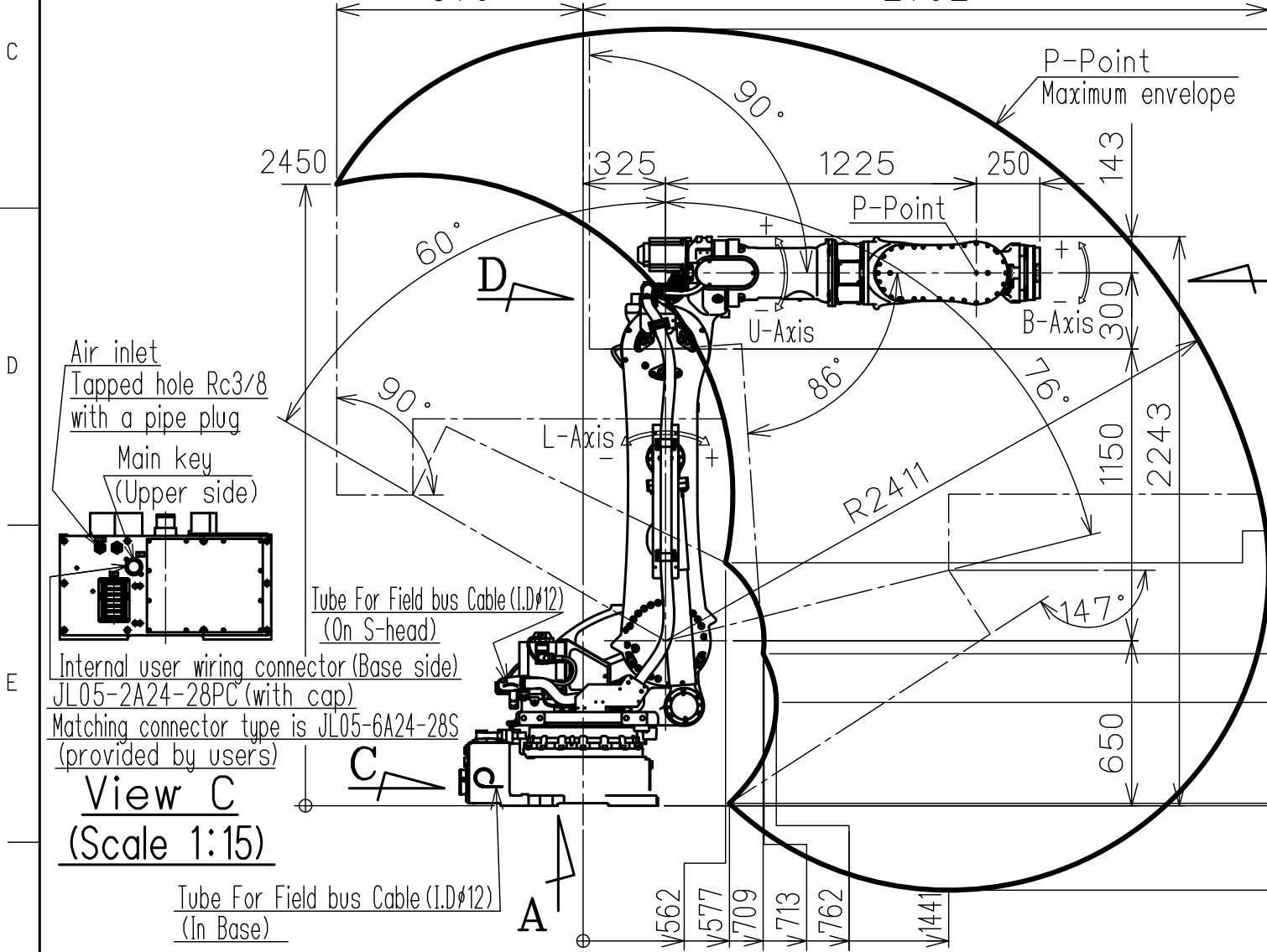


DWG.NO. HW1385917

Type	Note
YR-1-06VXH225-A00	STANDARD

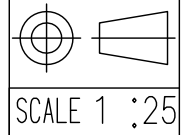


Item	Model	MOTOMAN-SP225H
Configuration	Vertically articulated	
Degree of Freedom	6	
Payload	Wrist	225kg
	On U-arm	30kg
Repeatability (※1)	0.05 mm	
Range of Motion	S-Axis (Turning)	-180° - +180°
	L-Axis (Lower Arm)	-60° - +76°
	U-Axis (Upper Arm)	-86° - +90°
	R-Axis (Roll)	-210° - +210°
	B-Axis (Pitch/Yaw)	-130° - +130°
Max Speed	T-Axis (Twist)	-360° - +360°
	S-Axis	2.09 rad/s, 120°/s
	L-Axis	1.69 rad/s, 97°/s
	U-Axis	2.01 rad/s, 115°/s
	R-Axis	2.62 rad/s, 150°/s
Allowable Moment	B-Axis	2.62 rad/s, 150°/s
	T-Axis	4.01 rad/s, 230°/s
	R-Axis	1372 N·m (140kgf·m)
Allowable Inertia (GD²/4)	B-Axis	1372 N·m (140kgf·m)
	T-Axis	735 N·m (75kgf·m)
	R-Axis	209.8kg·m²
Approx. Robot mass	1090kg	
Protected structure	Body: IP54 Wrist: IP65	
Mounting method	Floor-mounted	
Ambient Conditions	Temperature	0°C to +45°C
	Humidity	20%RH to 80%RH (Non-condensing)
	Vibration	4.9m/s² (0.5G) or less
	Altitude	1000m or less
	Flatness for installation	0.5mm or less
Others	<ul style="list-style-type: none"> Free from dirt, dust, oil, soot, or water. Free from explosive and corrosive gas or liquid. Free from excessive electrical noise (plasma). Free from strong magnetic fields. 	
	Power Requirements	5.0kVA
Controller	YRC1000	



Note:
 1. All rights reserved.
 2. Please note that the data is subject to be deleted without advance notice.
 3. No warranty is given in relation to the data including the specification.
 4. We are not responsible for any damages or loss caused by the use of the data.

FOR STUDY PURPOSE ONLY



YASKAWA
 株式会社 安川電機

Reference Drawing

TITLE MOTOMAN-SP225H
 DIMENSION DIAGRAM

DRWN DATE Feb.19.'18

DWG.NO. HW1385917

SIZE A3