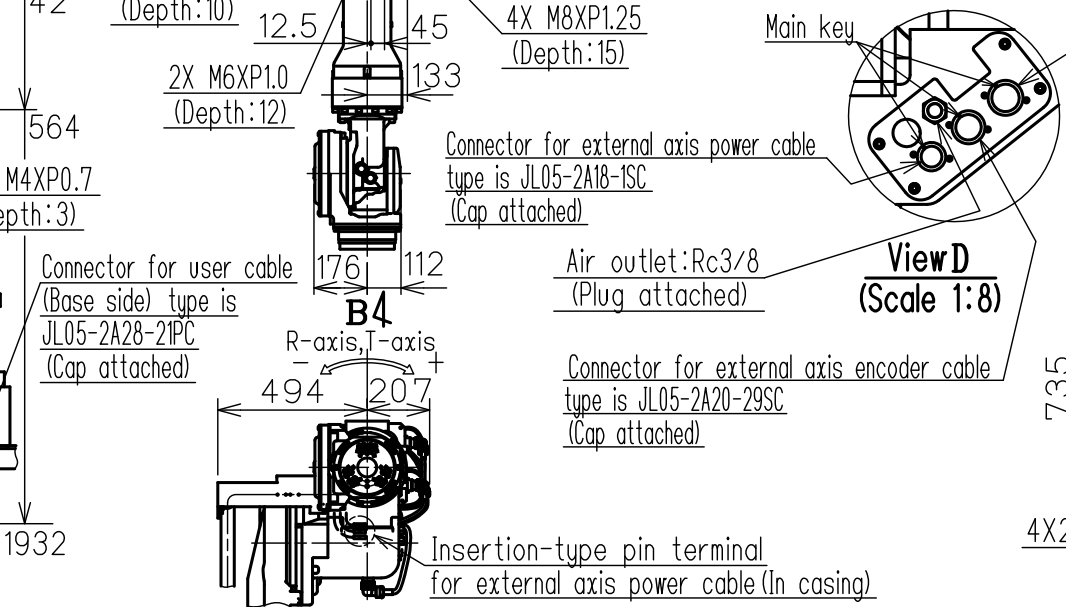
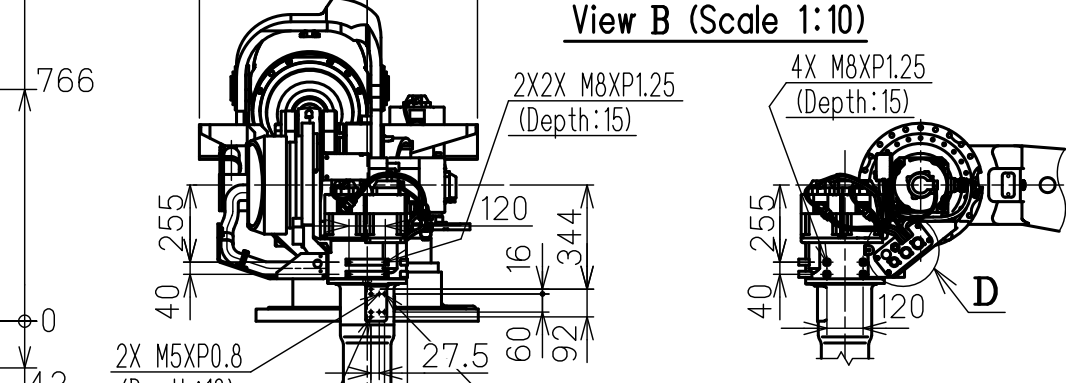
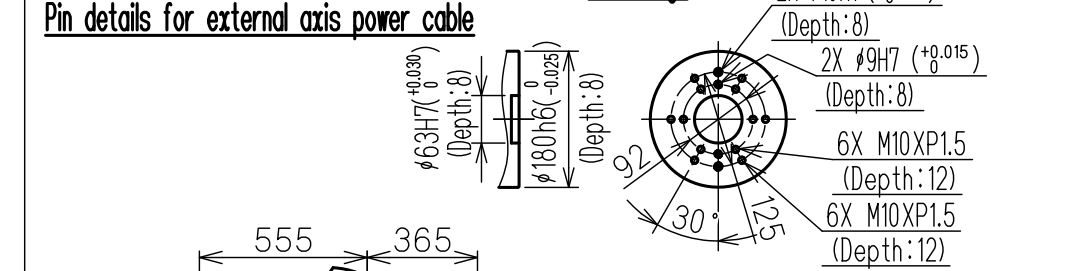
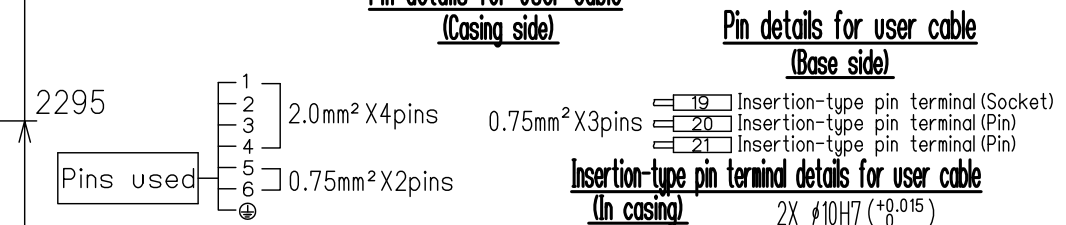
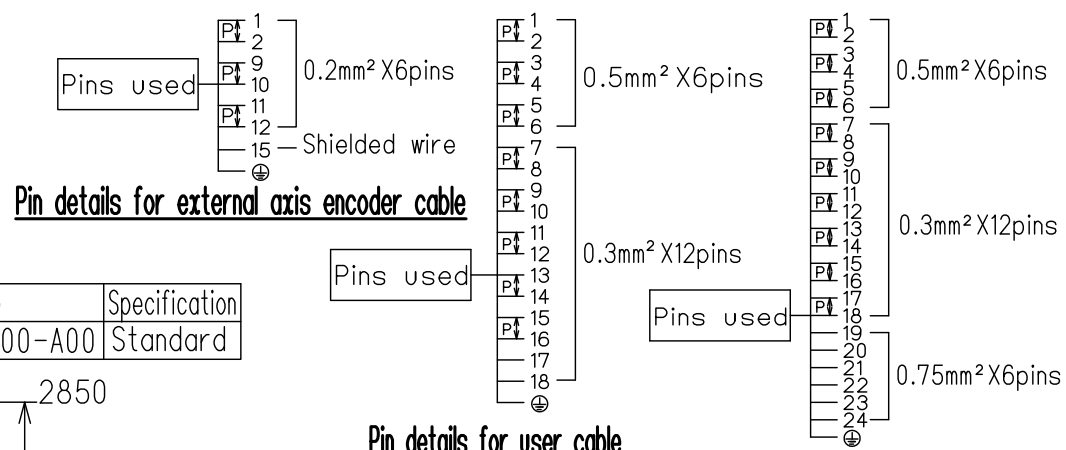
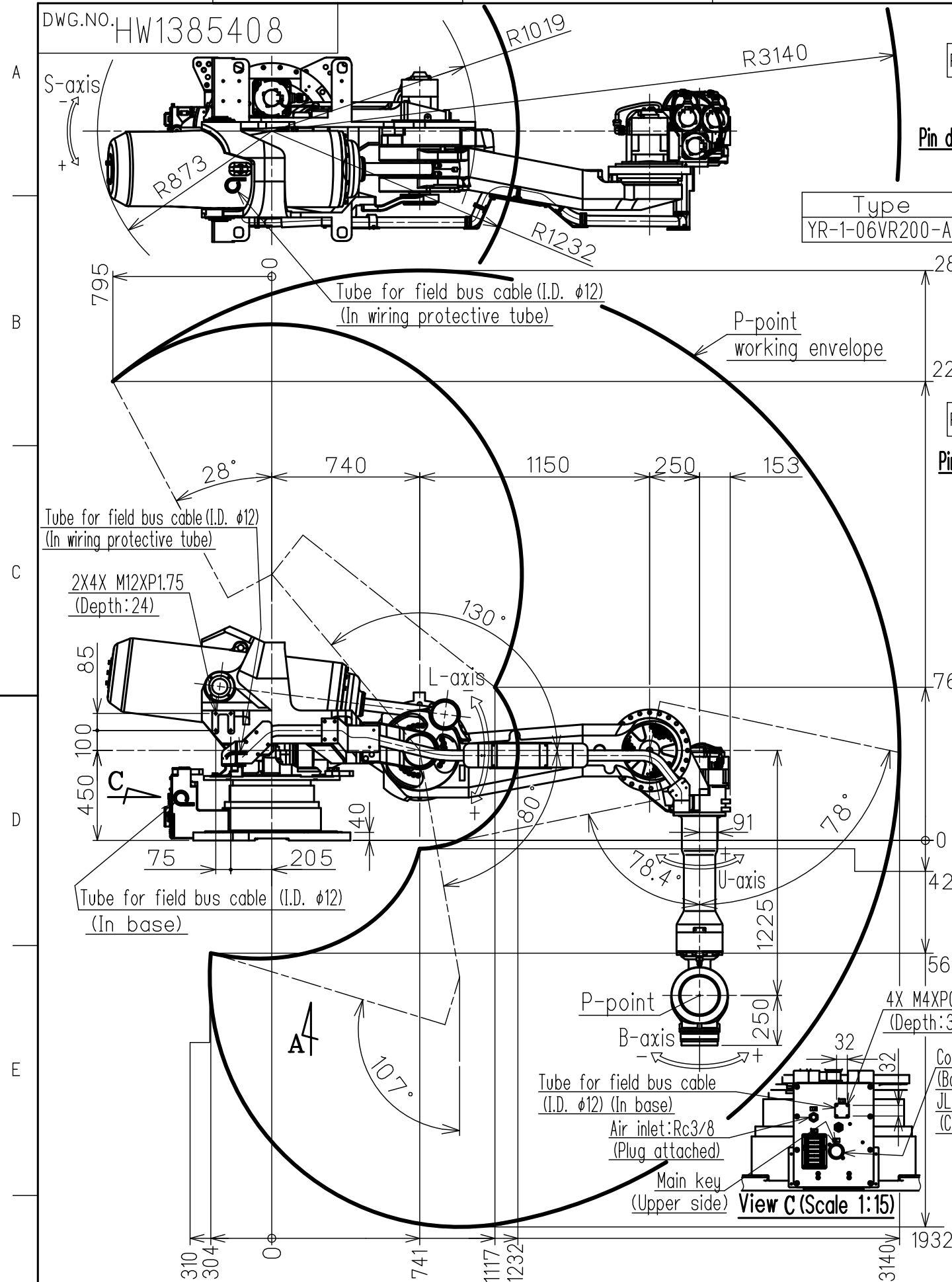


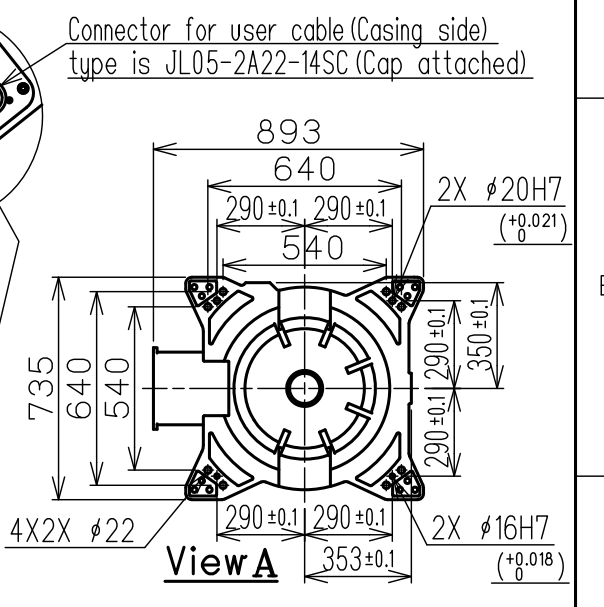
DWG.NO. HW1385408



Item	Model	MOTOMAN-GP200R
Configuration		Vertically articulated
Degree of freedom		6
Payload	Wrist	200 kg
	On u-arm	30 kg
Repeatability (*1)		0.05 mm
Range of motion	S-axis (Turning)	-180° - +180°
	L-axis (Lower arm)	-130° - +80°
	U-axis (Upper arm)	-78.4° - +78°
	R-axis (Roll)	-360° - +360°
	B-axis (Pitch/Yaw)	-125° - +125°
Maximum speed	T-axis (Twist)	-360° - +360°
	S-axis	1.57 rad/s, 90 °/s
	L-axis	1.48 rad/s, 85 °/s
	U-axis	1.48 rad/s, 85 °/s
	R-axis	2.09 rad/s, 120 °/s
Allowable moment	B-axis	2.09 rad/s, 120 °/s
	T-axis	3.32 rad/s, 190 °/s
	R-axis	1344 N·m (137kgf·m)
Allowable inertia (GD²/4)	B-axis	1344 N·m (137kgf·m)
	T-axis	715 N·m (73kgf·m)
	R-axis	143 kg·m²
Mass	B-axis	143 kg·m²
	T-axis	80 kg·m²
Protection rating		Body: IP54 Wrist: IP67
Mounting method		Shelf-mounted
Ambient conditions	Temperature	0°C - +45°C
	Humidity	20%RH - 80%RH (No-condensing)
	Vibration acceleration	4.9m/s² (0.5G) or less
	Altitude	1000m or less
	Flatness for installation	0.5mm or less
Others		Free from dirt, dust, oil soot, or water
		Free from explosive and corrosive gas or liquid
Power requirements		5.0KVA
Applicable controller		YRC1000

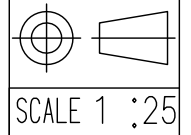
*1 Repeatability conforms to ISO 9283.
*2 The manipulator is in the home position in this drawing.

Units: mm



Note:
1. All rights reserved.
2. Please note that the data is subject to be deleted without advance notice.
3. No warranty is given in relation to the data including the specification.
4. We are not responsible for any damages or loss caused by the use of the data.

FOR STUDY PURPOSE ONLY



YASKAWA
株式会社 安川電機

Reference Drawing

TITLE MOTOMAN-GP200R
DIMENSION DIAGRAM

DRWN DATE Oct.03.'17
DWG.NO. HW1385408

SIZE A3