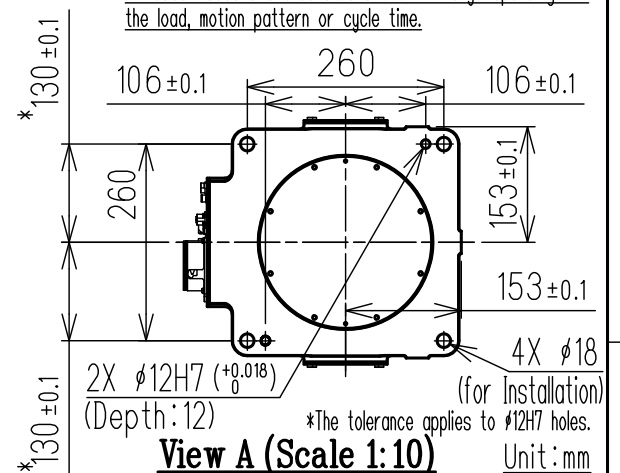
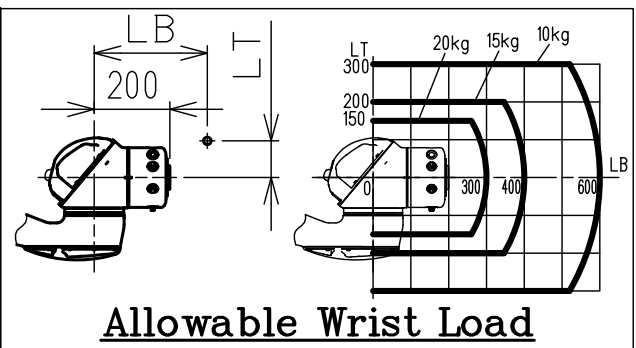
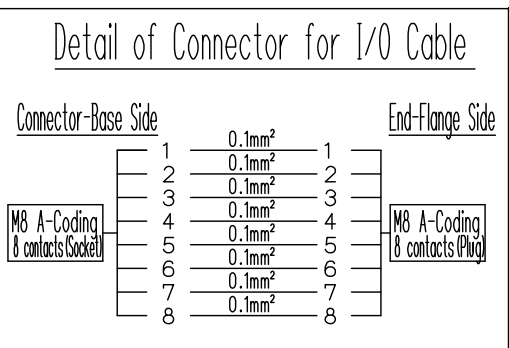
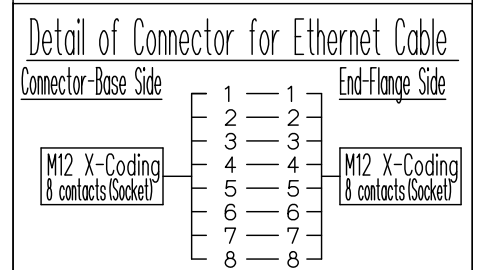
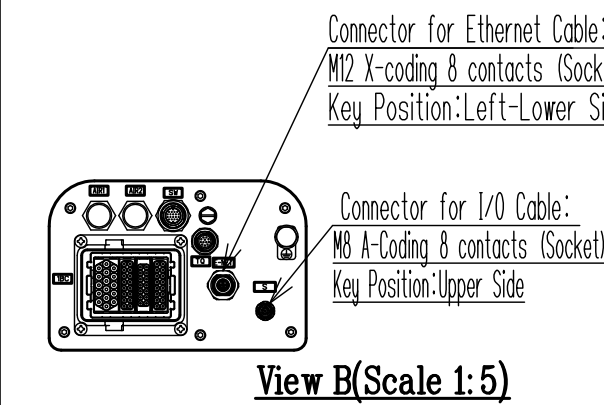
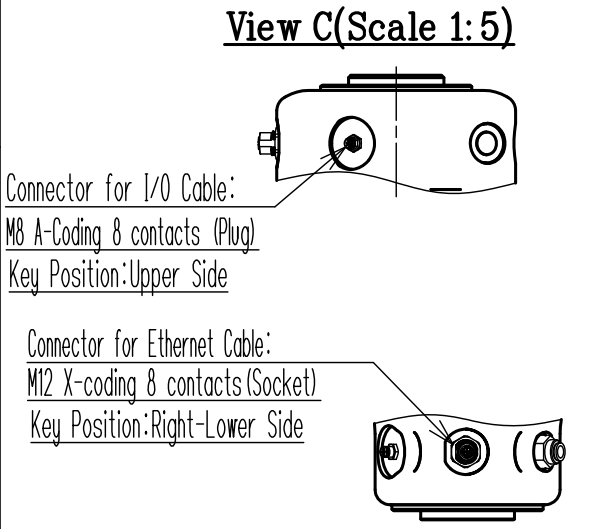
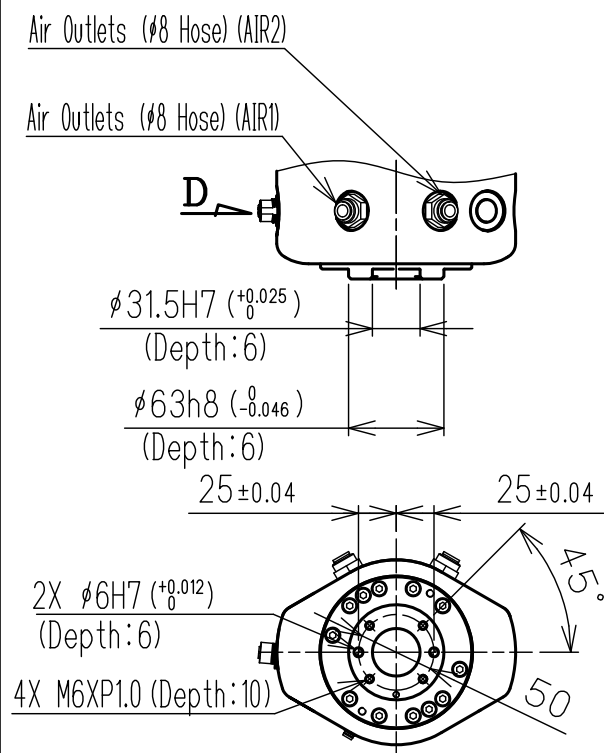
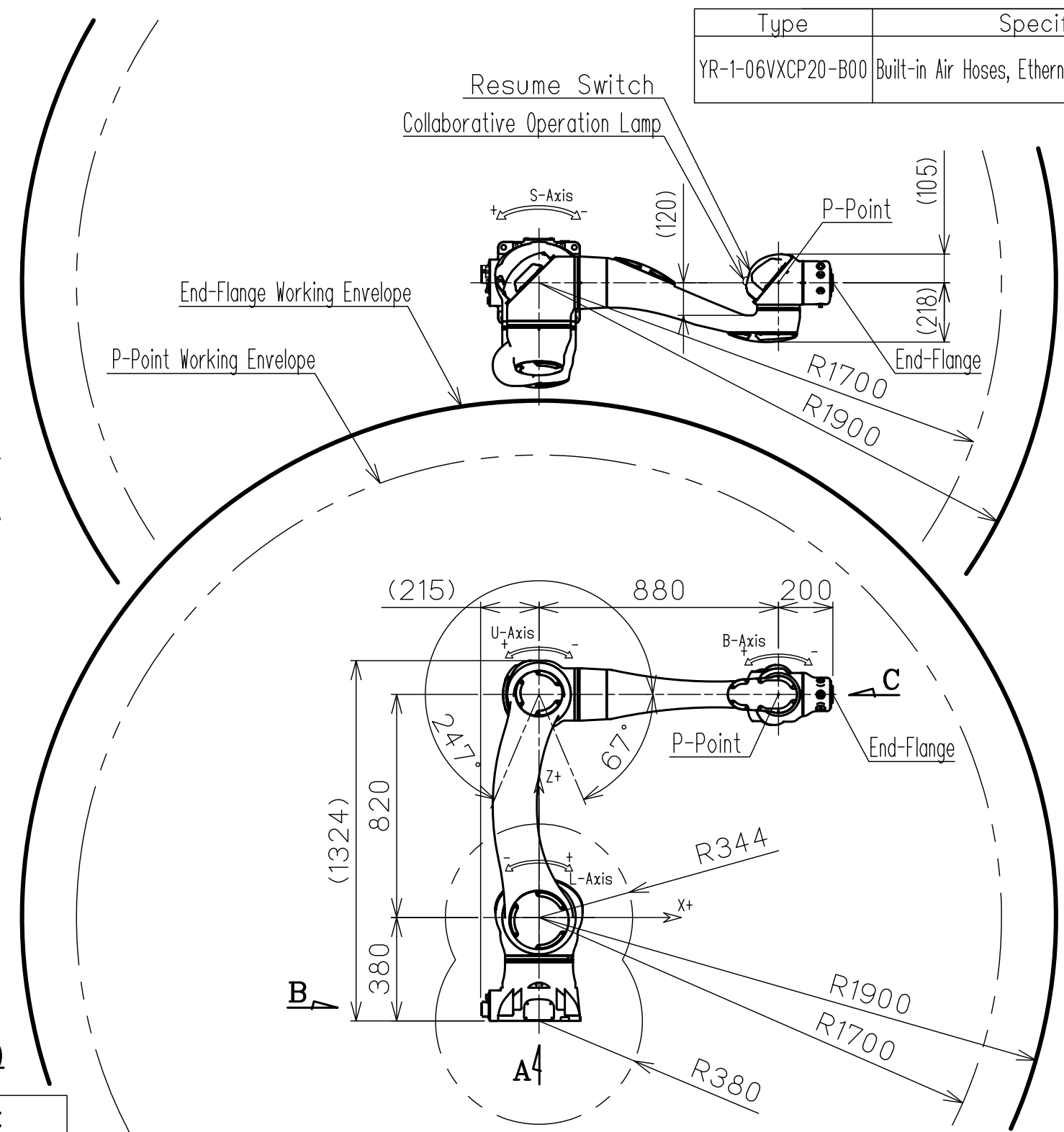


DWG.NO. HW2380287

Type	Specification
YR-1-06VXCP20-B00	Built-in Air Hoses, Ethernet and I/O (8 wires) Cables

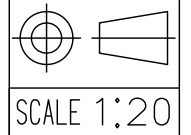
Item	Model	MOTOMAN-HC20DTP
Configuration		Vertically Articulated
Degree of Freedom		6
Payload		20kg
Repeatability *1		0.05mm
Range of Motion	S-Axis (Turning)*3	-210° - +210°
	L-Axis (Lower Arm)	-180° - +180°
	U-Axis (Upper Arm)	-67° - +247°
	R-Axis (Roll)	-210° - +210°
	B-Axis (Pitch/Yaw)	-180° - +180°
	T-Axis (Twist)	-210° - +210°
Maximum Speed*4	S-Axis	1.40rad/s, 80°/s
	L-Axis	1.40rad/s, 80°/s
	U-Axis	2.09rad/s, 120°/s
	R-Axis	2.27rad/s, 130°/s
	B-Axis	3.14rad/s, 180°/s
Allowable Moment	R-Axis	58.8N·m (6.0kgf·m)
	B-Axis	58.8N·m (6.0kgf·m)
	T-Axis	29.4N·m (3.0kgf·m)
Allowable Inertia (GD ² /4)	R-Axis	4.0 kg·m ²
	B-Axis	4.0 kg·m ²
	T-Axis	2.0 kg·m ²
Mass		140kg
Protection Rating		IP66/IP67
Clean Rating (Reference)*5		Equivalent to ISO class 5
Mounting Method		Floor-, Wall-, Tilt-, Ceiling-mounted
Ambient Conditions	Temperature	0 °C - 40 °C
	Humidity	20%RH - 80%RH (Non-Condensing)
	Vibration Acceleration	4.9m/s ² (0.5G) or less
	Altitude	1000m or less
	Flatness for Installation	0.5mm or less
	Others	Free from oil soot. Free from explosive and corrosive gas or liquid. Free from excessive electrical noise Free from strong magnetic fields.
Power Requirements *6		1.5kVA
Controller		YRC1000/YRC1000micro



*1 Repeatability conforms to ISO 9283.
 *2 The manipulator is in the home position in this drawing.
 *3 When tilt- or wall-mounted, S-axis motion range is limited.
 *4 The maximum speed value in this table is the available maximum value and will vary depending on the load, posture, or range of motion.
 *5 The clean rating is for reference and not guaranteed.
 *6 The power requirement value is obtained using YASKAWA's in-house measurement conditions and will vary depending on the load, motion pattern or cycle time.

Note:
 1. All rights reserved.
 2. Please note that the data is subject to be deleted without advance notice.
 3. No warranty is given in relation to the data including the specification.
 4. We are not responsible for any damages or loss caused by the use of the data.

FOR STUDY PURPOSE ONLY



YASKAWA
 株式会社 安川電機

Reference Drawing

TITLE MOTOMAN-HC20DTP Dust-/Drip-Proof
 DIMENSION DIAGRAM

DRWN DATE Jun. 3, '21
 DWG.NO. HW2380287

SIZE A3