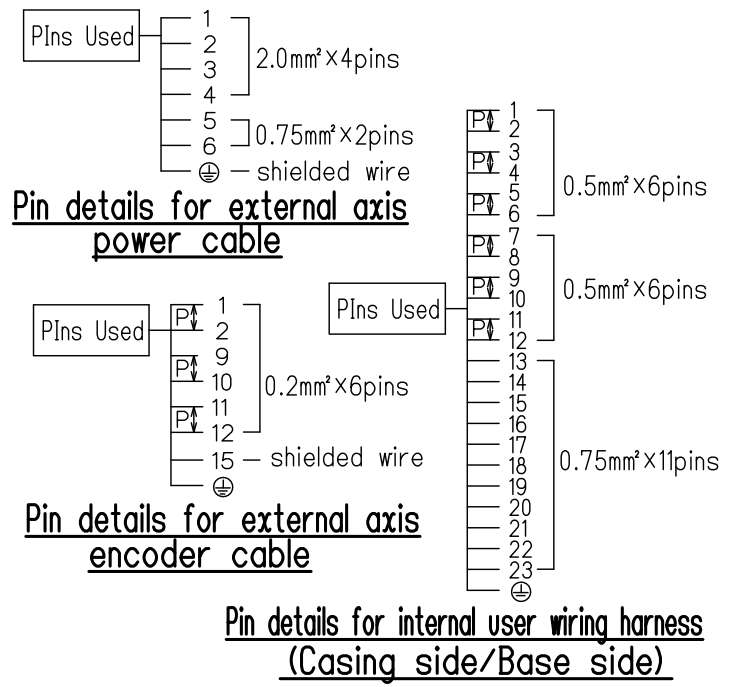
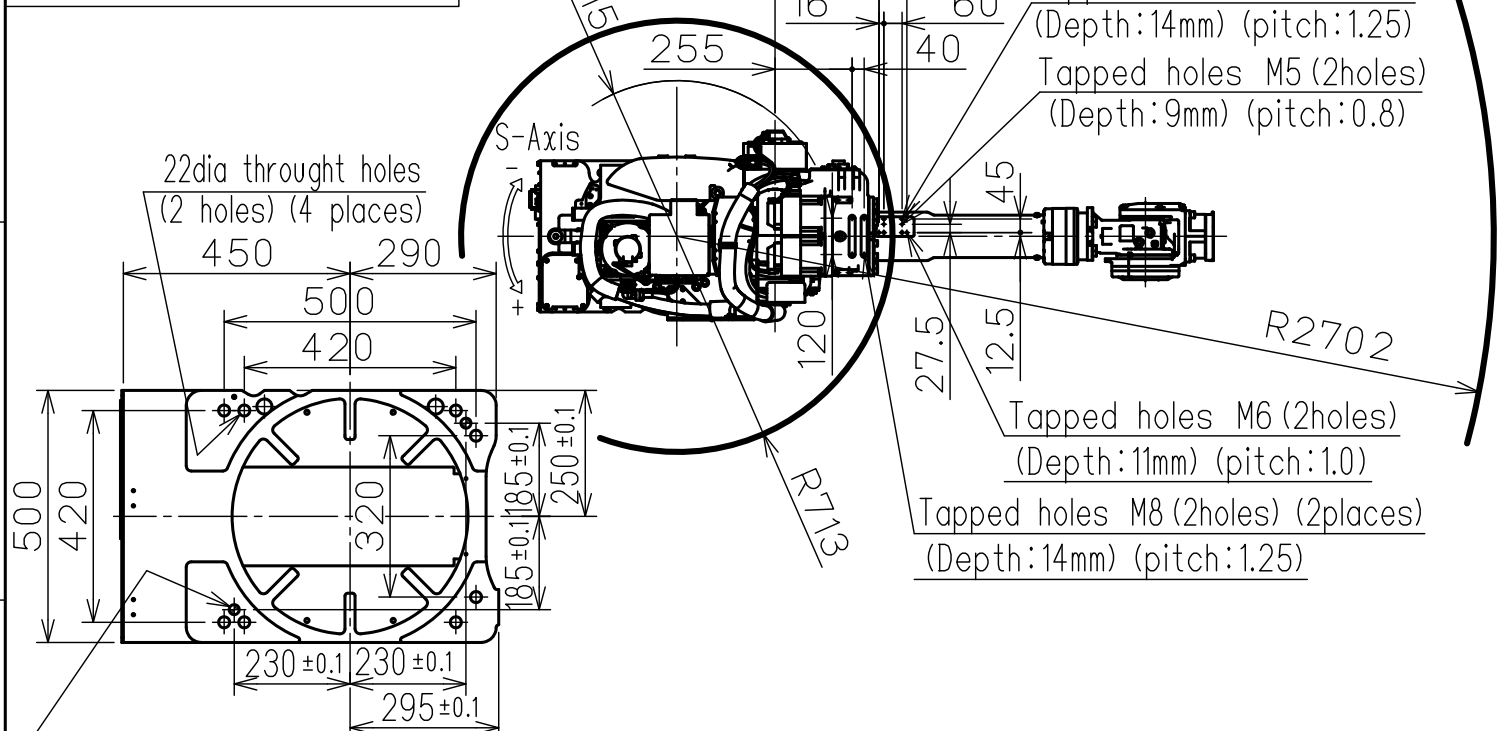
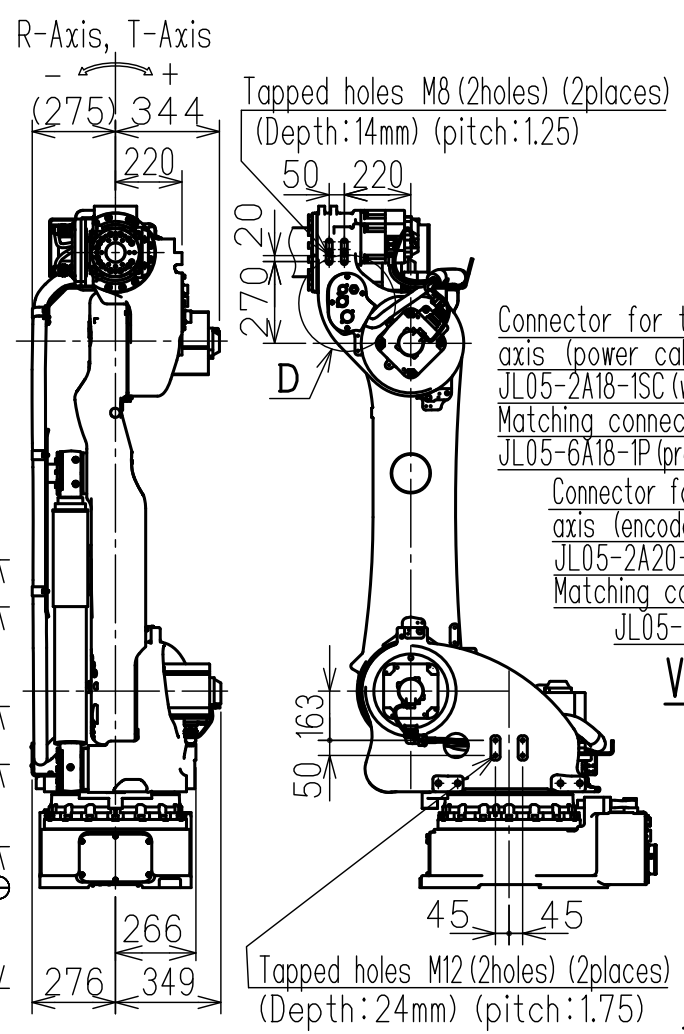
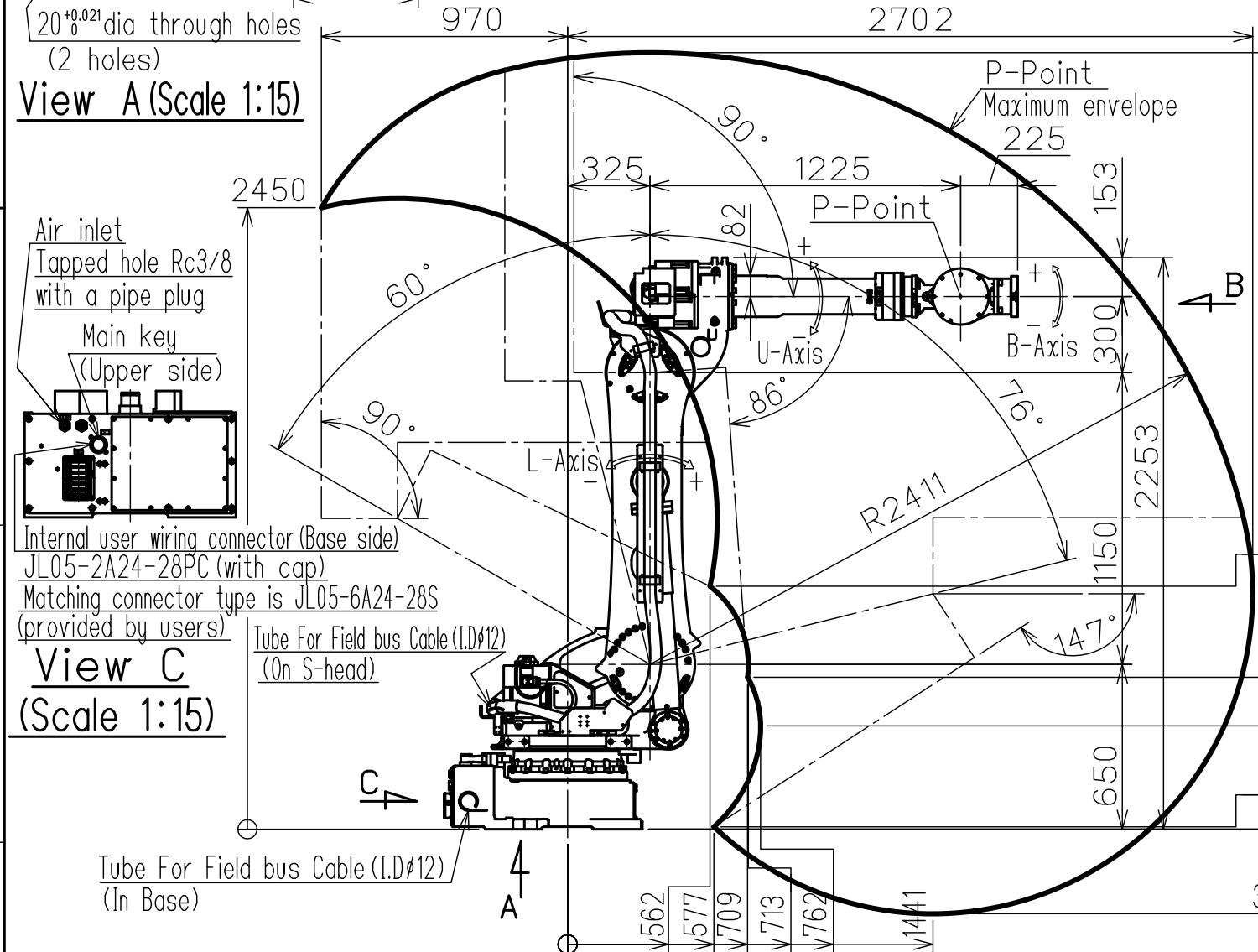


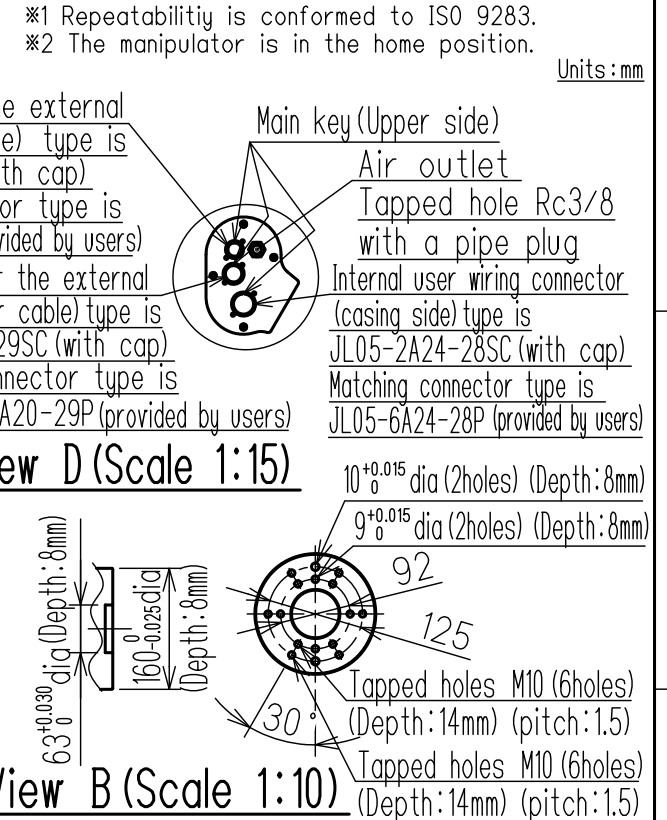
DWG.NO. HW1385420



Type	Note
YR-1-06VX180-A00	STANDARD



Item	Model	MOTOMAN-GP180	
Configuration		Vertically articulated	
Degree of Freedom		6	
Payload	Wrist	180kg	
	On U-arm	30kg	
Repeatability (※1)		0.05 mm	
Range of Motion	S-Axis (Turning)	-180° - +180°	
	L-Axis (Lower Arm)	-60° - +76°	
	U-Axis (Upper Arm)	-86° - +90°	
	R-Axis (Roll)	-360° - +360°	
	B-Axis (Pitch/Yaw)	-130° - +130°	
Max Speed	T-Axis (Twist)	-360° - +360°	
	S-Axis	2.18 rad/s, 125°/s	
	L-Axis	2.01 rad/s, 115°/s	
Allowable Moment	U-Axis	2.18 rad/s, 125°/s	
	R-Axis	3.18 rad/s, 182°/s	
	B-Axis	3.05 rad/s, 175°/s	
Allowable Inertia (GD²/4)	T-Axis	4.63 rad/s, 265°/s	
	R-Axis	1000 N·m (102kgf·m)	
	B-Axis	1000 N·m (102kgf·m)	
Approx. Robot mass	T-Axis	618 N·m (63kgf·m)	
	R-Axis	90 kg·m²	
	B-Axis	90 kg·m²	
Protected structure	T-Axis	46.3kg·m²	
	R-Axis	1020kg	
	B-Axis	Body: IP54 Wrist: IP67	
Mounting method	R-Axis	Floor-mounted	
	B-Axis	Temperature	0 to +45°C
	T-Axis	Humidity	20 to 80%RH (Non-condensing)
Ambient Conditions		Vibration	4.9m/s² (0.5G) or less
		Altitude	1000m or less
		Others	•Free from explosive or corrosive gas and liquid. •Free from dust, soot, oil, or water. •Free from electrical noise. •Free from strong magnetic fields.
Power Requirements		5.0kVA	
Controller		YRC1000	



Note:
1. All rights reserved.
2. Please note that the data is subject to be deleted without advance notice.
3. No warranty is given in relation to the data including the specification.
4. We are not responsible for any damages or loss caused by the use of the data.

FOR STUDY PURPOSE ONLY

YASKAWA 株式会社 安川電機

Reference Drawing

SCALE 1:25

TITLE MOTOMAN-GP180 DIMENSION DIAGRAM

DRWN DATE Oct.03.'17

DWG.NO. HW1385420

SIZE A3