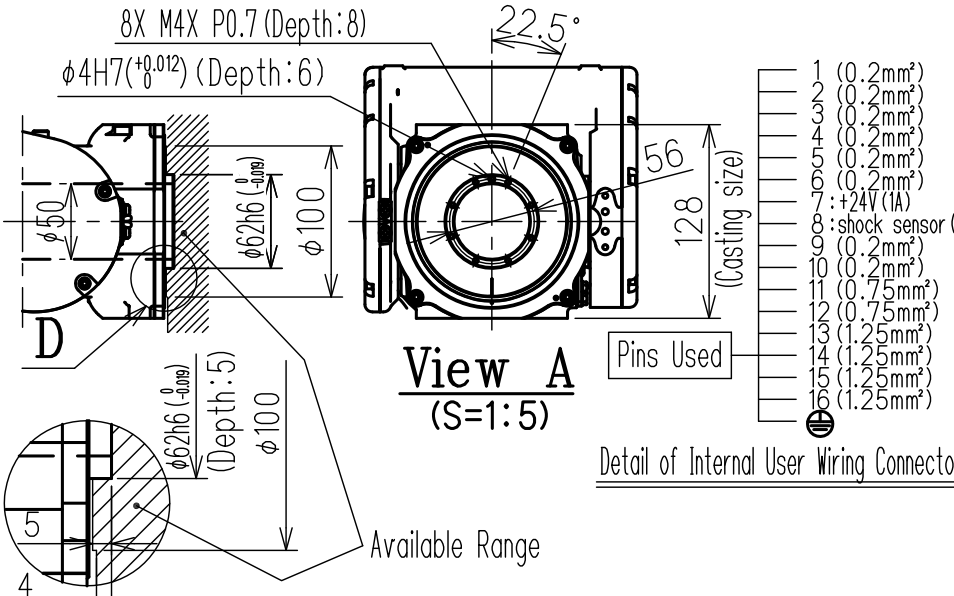
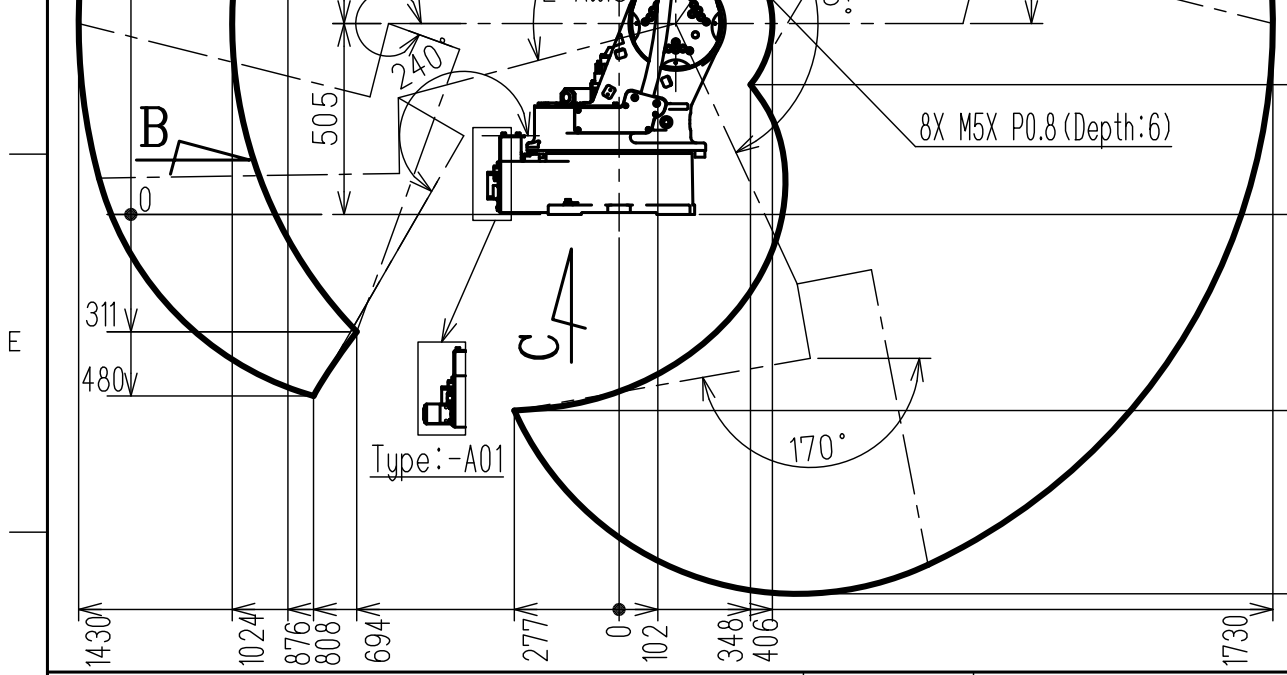
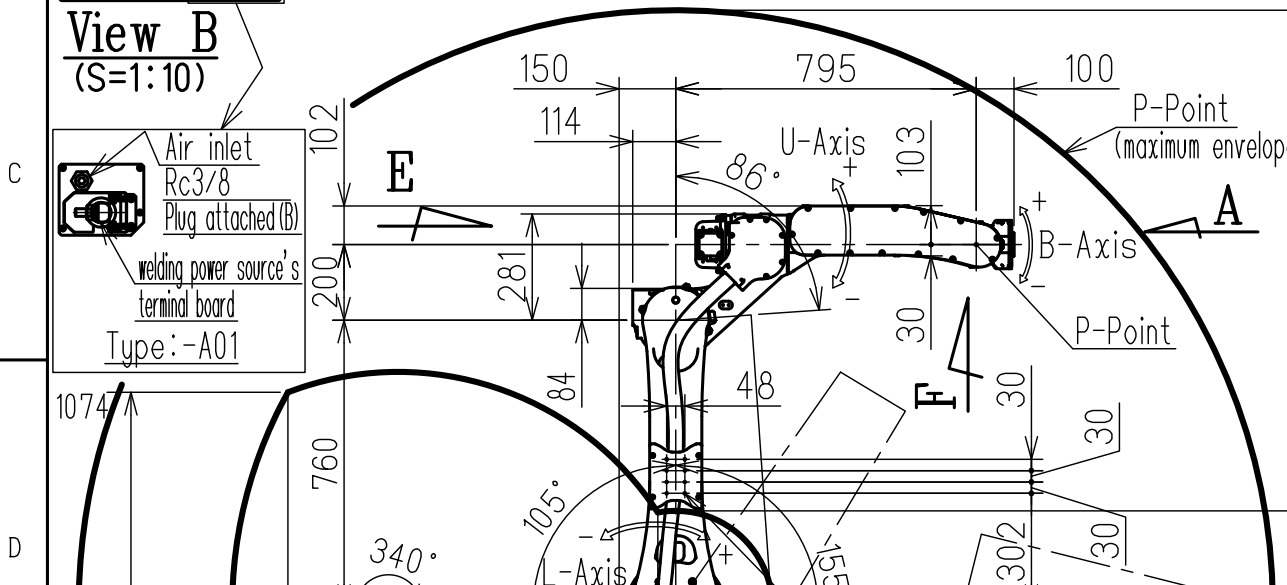
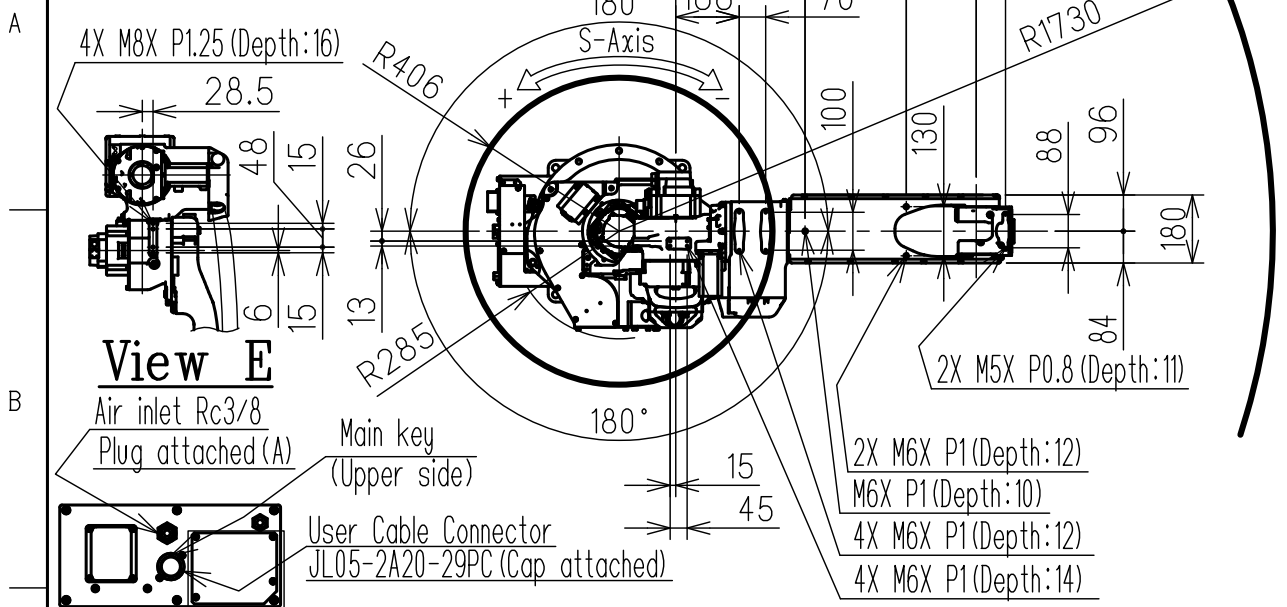
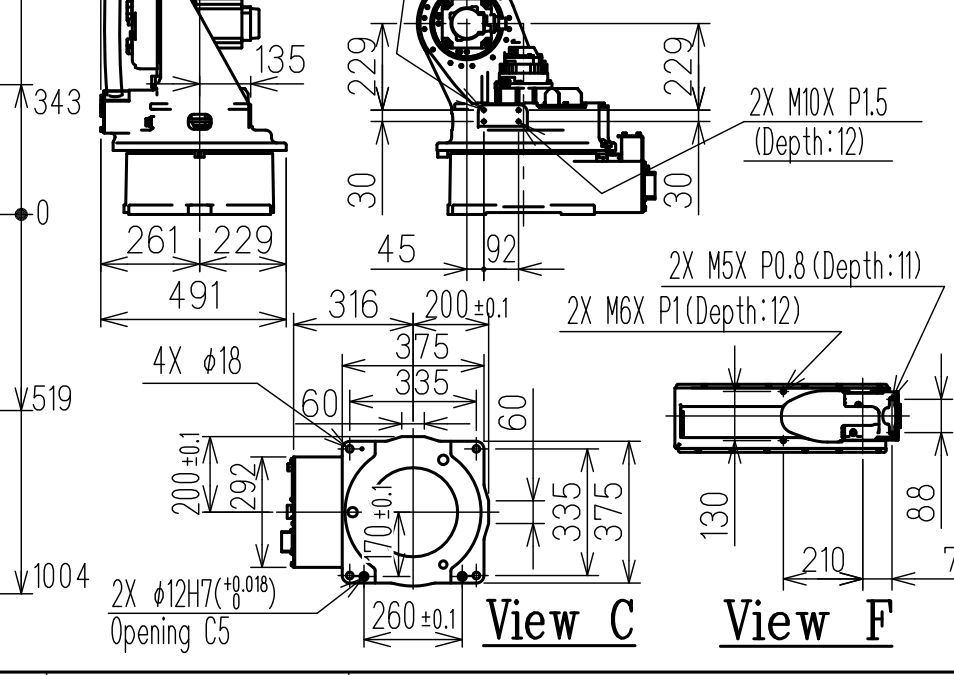
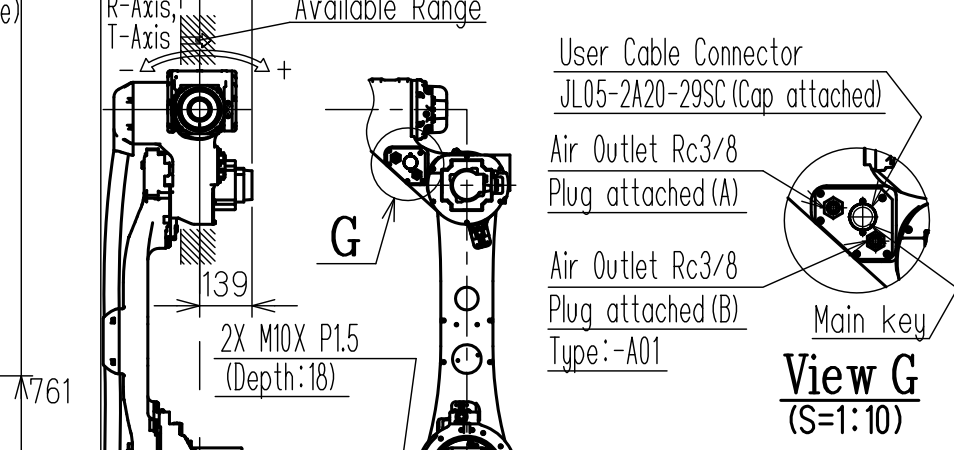


DWG.NO. HW1385226



Type	Specification
YR-1-06VXH25-A00	STANDARD: One air line (welding cable non-incorporation)
YR-1-06VXH25-A01	Two air lines (built-in welding cable)



Item	Model	MOTOMAN-GP25
Configuration		Vertically Articulated
Degree of Freedom		6
Payload	Wrist	25kg
	On U-arm (*1)	12kg
Repeatability (*2)		0.02mm
Range of Motion	S-Axis	-180° - +180°
	L-Axis	-105° - +155°
	U-Axis	-86° - +160°
	R-Axis	-200° - +200°
	B-Axis	-150° - +150°
T-Axis	-455° - +455°	
Maximum Speed	S-Axis	3.67rad/s, 210° /s
	L-Axis	3.67rad/s, 210° /s
	U-Axis	4.63rad/s, 265° /s
	R-Axis	7.33rad/s, 420° /s
	B-Axis	7.33rad/s, 420° /s
T-Axis	15.44rad/s, 885° /s	
Allowable Moment	R-Axis	52N·m (5.3kgf·m)
	B-Axis	52N·m (5.3kgf·m)
	T-Axis	32N·m (3.3kgf·m)
Allowable Inertia (GD²/4)	R-Axis	2.3kg·m²
	B-Axis	2.3kg·m²
	T-Axis	1.2kg·m²
Mass		250kg
Protection rating		Body: IP54 Wrist: IP67
Mounting method (*3)		Floor-, Wall-, Tilt-, Ceiling-mounted
Ambient Conditions	Temperature	0°C - +45°C
	Humidity	20%RH - 80%RH (Non-condensing)
	Vibration acceleration	4.9m/s² (0.5G) or less
	Altitude	1000m or less
	Flatness for installation	0.5mm or less
Others		•Free from dirt, dust, oil soot, or water •Free from explosive and corrosive gas or liquid •Free from excessive electrical noise (plasma) •Free from strong magnetic field
Power Requirements		2.0KVA
Applicable controller		YRC1000

Notes: \*1 Load on the U-arm will vary depending on the load weight of the wrist part.  
\*2 Repeatability conforms to ISO9283.  
\*3 When the manipulator is installed on a slope or a wall, the motion of S-axis will be limited.  
\*4 The manipulator is in the home position. Units: mm