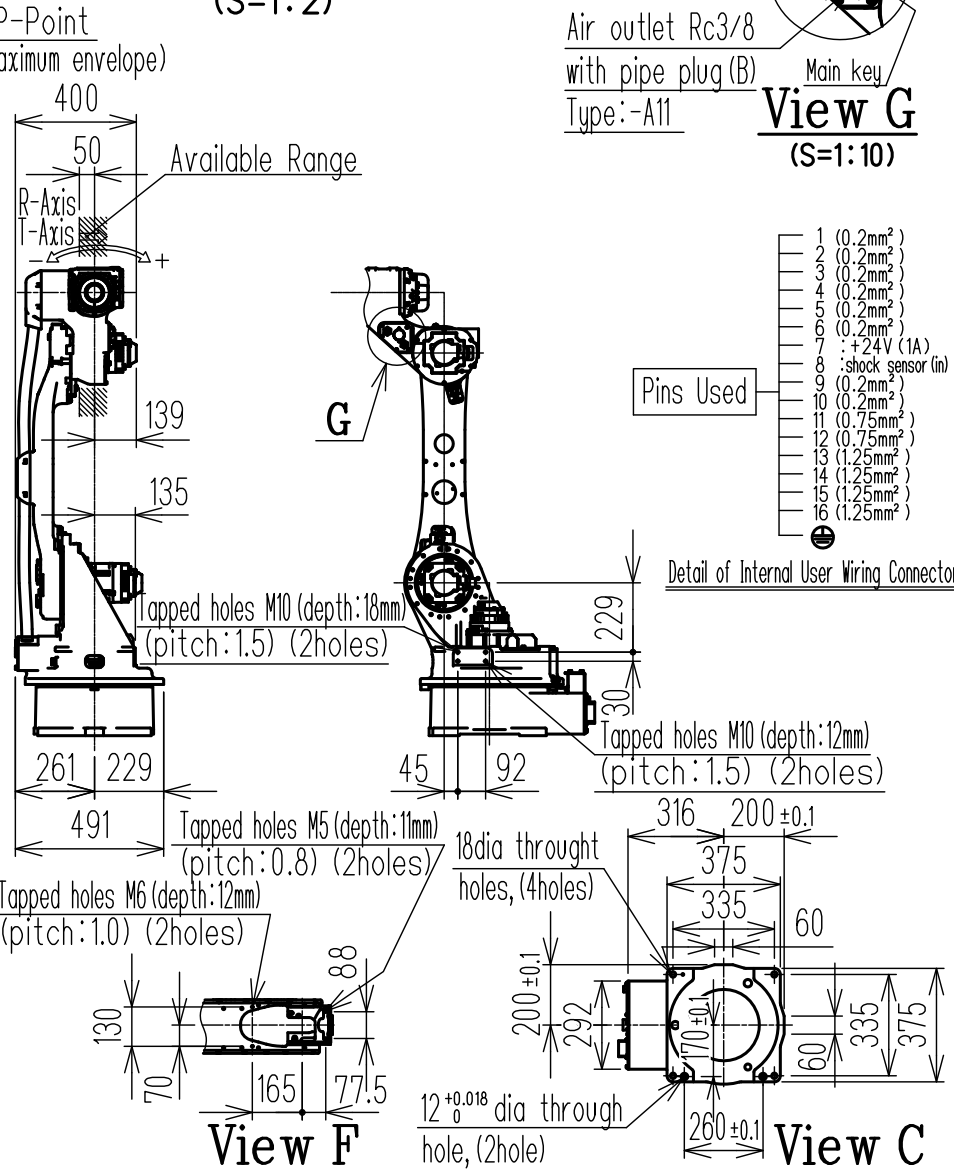
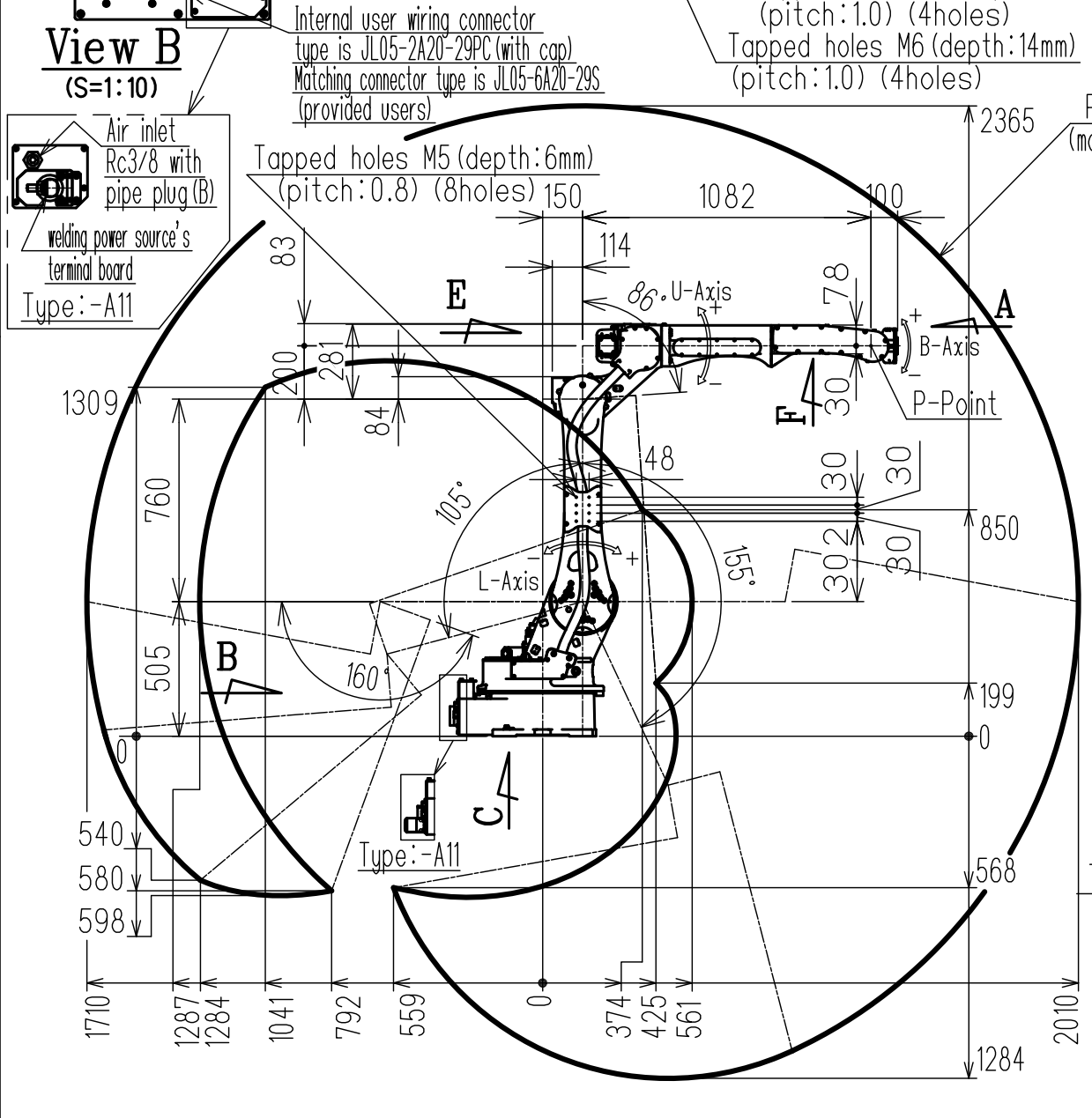
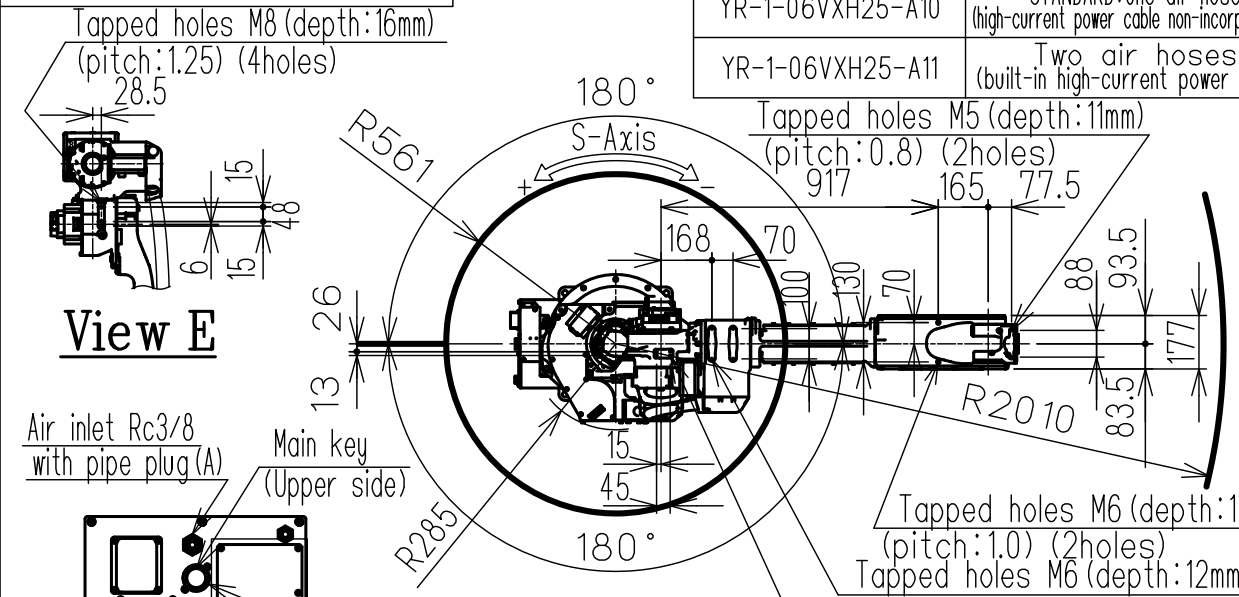
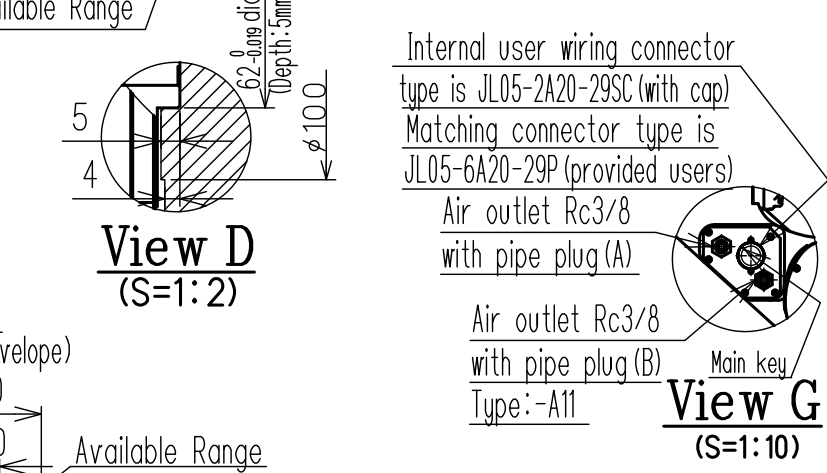
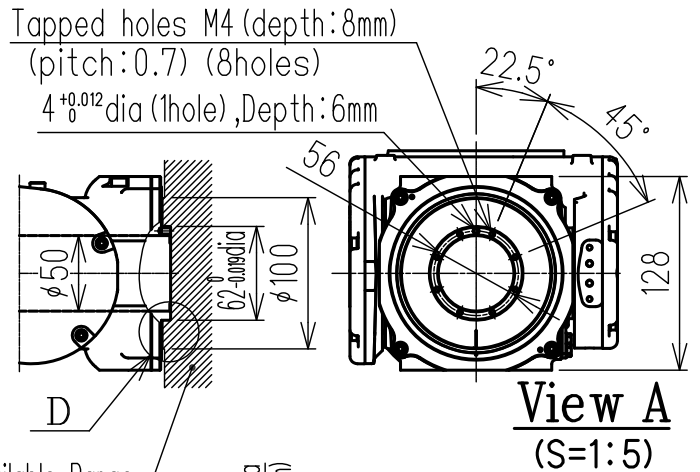


DWG.NO. HW1385610

Type	Note
YR-1-06VXH25-A10	STANDARD: One air hose (high-current power cable non-incorporation)
YR-1-06VXH25-A11	Two air hoses (built-in high-current power cable)



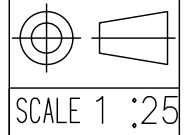
Item	Model	MOTOMAN-GP25-12
Configuration		Vertically articulated
Degree of Freedom		6
Payload	Wrist	12kg
	On U-arm (*1)	9kg
Repeatability (*2)		0.03mm
Range of Motion	S-Axis	-180° ~ +180°
	L-Axis	-105° ~ +155°
	U-Axis	-86° ~ +160°
	R-Axis	-200° ~ +200°
	B-Axis	-150° ~ +150°
Max Speed	T-Axis	-455° ~ +455°
	S-Axis	3.67rad/s, 210° /s
	L-Axis	3.67rad/s, 210° /s
	U-Axis	3.84rad/s, 220° /s
	R-Axis	7.59rad/s, 435° /s
Allowable Moment	B-Axis	7.59rad/s, 435° /s
	T-Axis	12.2rad/s, 700° /s
	R-Axis	22N·m (2.2kgf·m)
Allowable Inertia (GD ² /4)	B-Axis	22N·m (2.2kgf·m)
	T-Axis	9.8N·m (1.0kgf·m)
	R-Axis	0.65kg·m ²
Approx, Robot mass		260kg
Protected structure		Body: IP54 Wrist: IP67
Mounting method (*3)		Floor-mounted, Wall-mounted, Tilt-mounted, Ceiling-mounted
Ambient Conditions	Ambient temperature during operation	0°C ~ 45°C
	Humidity	20%RH ~ 80%RH (Non-condensing)
	Vibration	4.9m/s ² (0.5G) or less
	Altitude	1000m or less
Others	Flatness for installation	0.5mm or less
		<ul style="list-style-type: none"> Free from dirt, dust, oil, soot, or water. Free from explosive and corrosive gas or liquid. Free from excessive electrical noise (plasma). Free from strong magnetic field.
Power Requirements		2.0KVA
Controller		YRC1000

Notes: *1 Load on the U-arm will vary depending on the load weight of the wrist part.
 *2 Repeatability is conformed to ISO 9283.
 *3 When the manipulator is installed on a slope or a wall, the motion of S-axis will be limited.
 *4 The manipulator is in the home position.

Units: mm

Note:
 1.All rights reserved.
 2.Please note that the data is subject to be deleted without advance notice.
 3.No warranty is given in relation to the data including the specification.
 4.We are not responsible for any damages or loss caused by the use of the data.

FOR STUDY PURPOSE ONLY



YASKAWA
 株式会社安川電機

Reference Drawing

TITLE MOTOMAN-GP25-12
 DIMENSION DIAGRAM

DRWN DATE Jul.5.'17
 DWG.NO. HW1385610



SIZE A3