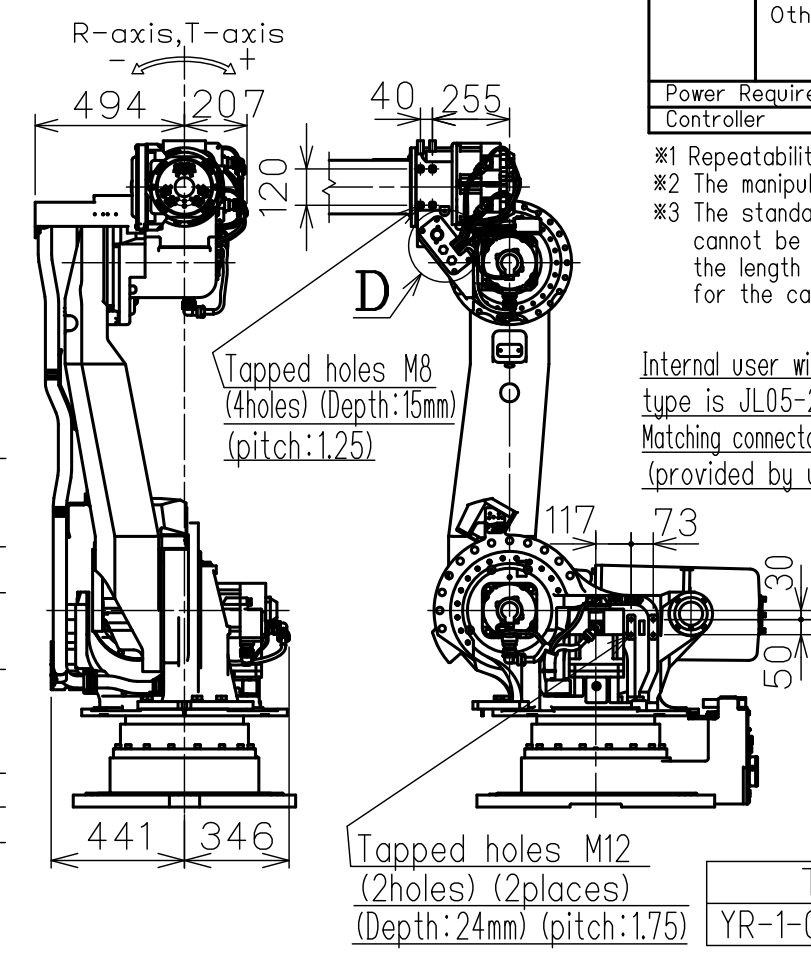
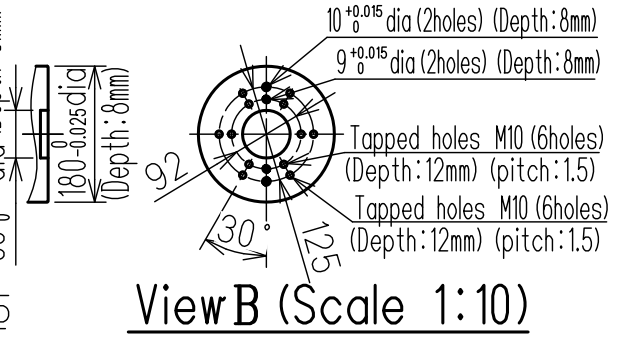
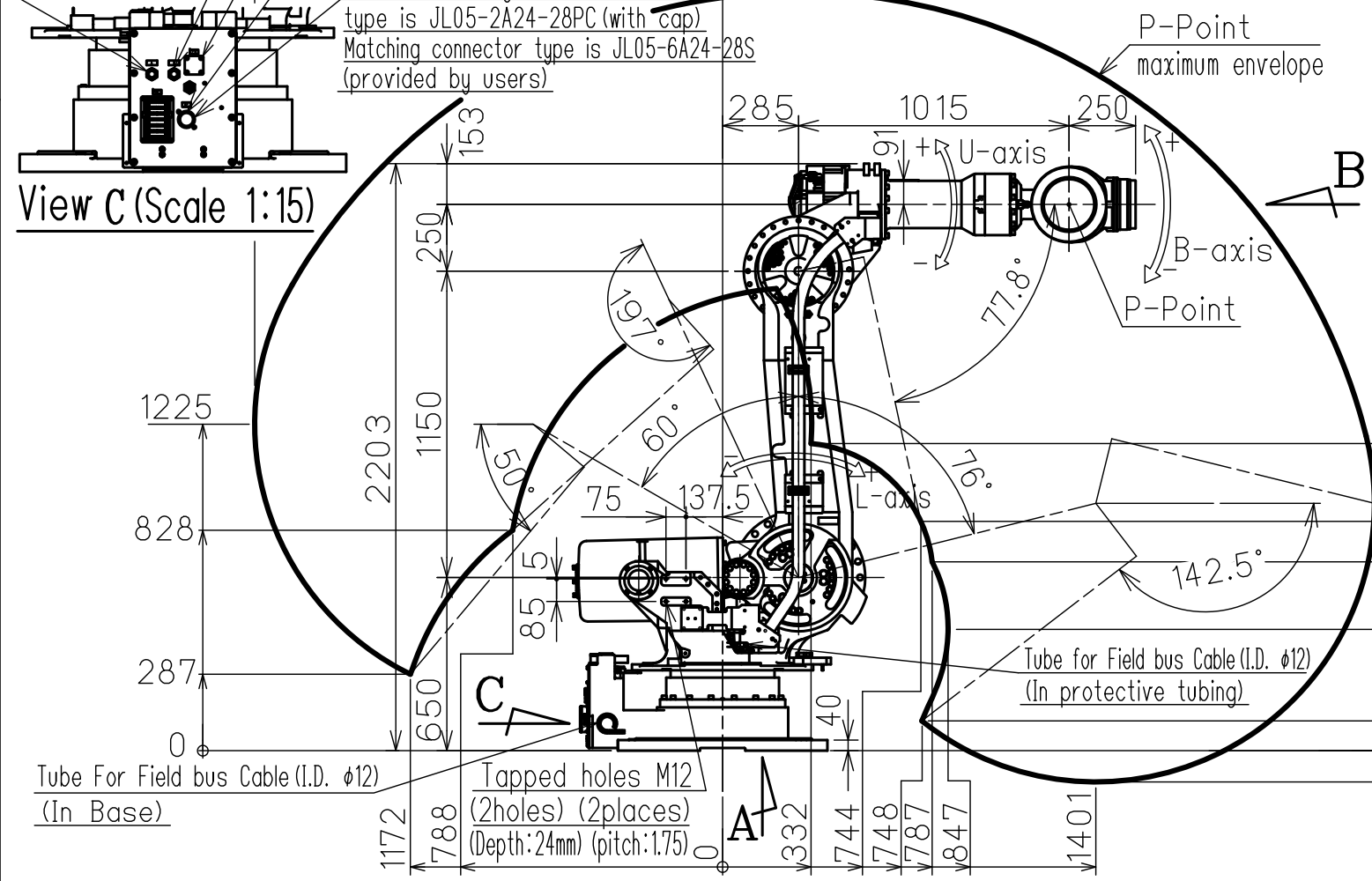
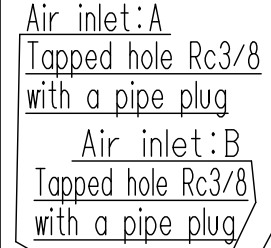
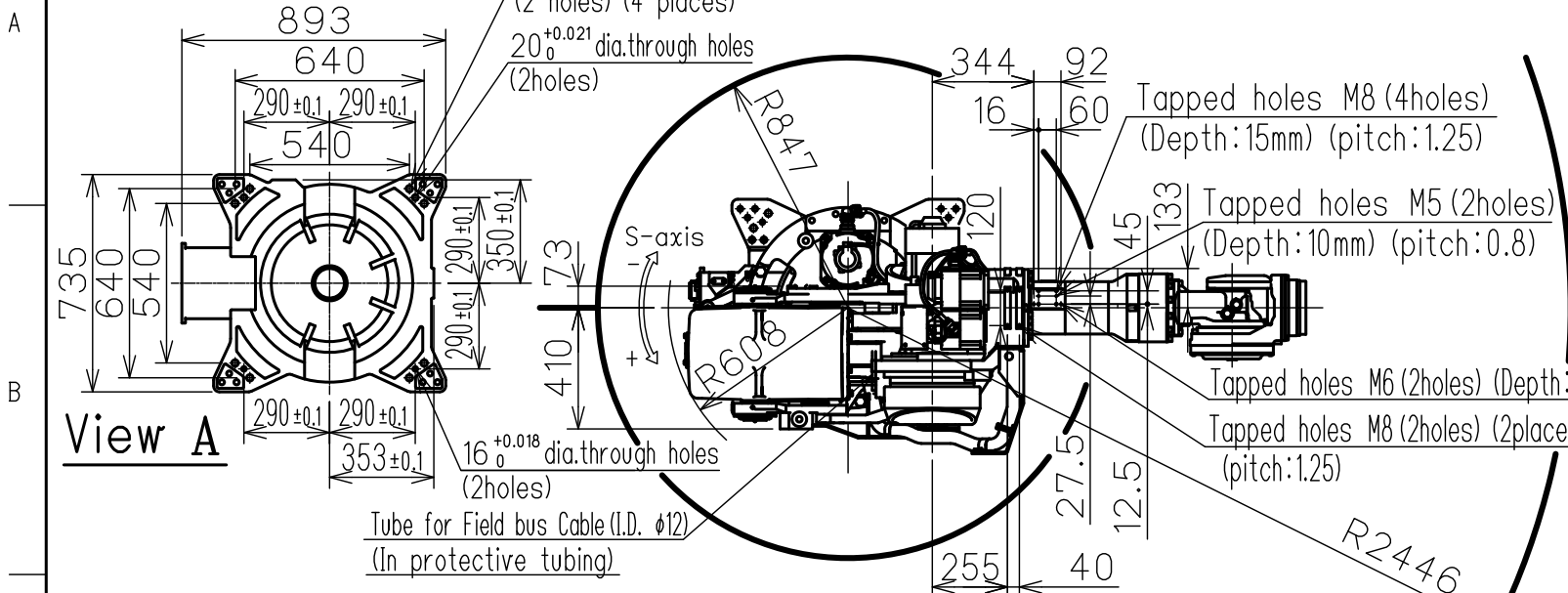


DWG.NO. HW1385434



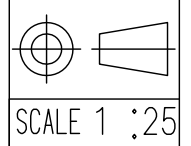
Item	Model	MOTOMAN-GP280
Configuration	Vertically articulated	
Degree of Freedom	6	
Payload	Wrist	280 kg
	On U-arm	30 kg
Repeatability (※1)	0.05 mm	
Range of Motion	S-Axis (Turning)	-180° - +180°
	L-Axis (Lower Arm)	-60° - +76°
	U-Axis (Upper Arm)	-77.8° - +197°
	R-Axis (Roll)	-360° - +360°
	B-Axis (Pitch/Yaw)	-125° - +125°
	T-Axis (Twist)	-360° - +360°
Max Speed	S-Axis	1.57 rad/s, 90°/s
	L-Axis	1.39 rad/s, 80°/s
	U-Axis	1.57 rad/s, 90°/s
	R-Axis	2.01 rad/s, 115°/s
	B-Axis	1.92 rad/s, 110°/s
	T-Axis	3.32 rad/s, 190°/s
Allowable Moment	R-Axis	1333 N·m (136kgf·m)
	B-Axis	1333 N·m (136kgf·m)
	T-Axis	706 N·m (72kgf·m)
Allowable Inertia (GD ² /4)	R-Axis	142 kg·m ²
	B-Axis	142 kg·m ²
	T-Axis	79 kg·m ²
Approx. Robot mass	1300 kg	
Protected structure	Body: IP54 Wrist: IP67	
Mounting method	Floor-mounted	
Ambient Conditions	Temperature	0 to +45°C
	Humidity	20 to 80%RH (Non-condensing)
	Vibration	4.9m/s ² (0.5G) or less
	Altitude	1000m or less
	Others	<ul style="list-style-type: none"> Free from explosive or corrosive gas and liquid. Free from dust, soot, oil, or water. Free from electrical noise. Free from strong magnetic fields.
Power Requirements	5.0KVA	
Controller	YRC1000	

※1 Repeatability is conformed to ISO 9283. Units: mm
 ※2 The manipulator is in the home position.
 ※3 The standard external cabling in the cover cannot be applied to this manipulator since the length of its upper arm part is short for the cabling.

Type	Note
YR-1-06VX280-A00	STANDARD

Note:
 1. All rights reserved.
 2. Please note that the data is subject to be deleted without advance notice.
 3. No warranty is given in relation to the data including the specification.
 4. We are not responsible for any damages or loss caused by the use of the data.

FOR STUDY PURPOSE ONLY



YASKAWA
 株式会社 安川電機

Reference Drawing

TITLE MOTOMAN-GP280
 DIMENSION DIAGRAM

DRWN DATE Nov.02.'17
 DWG.NO. HW1385434

SIZE A3