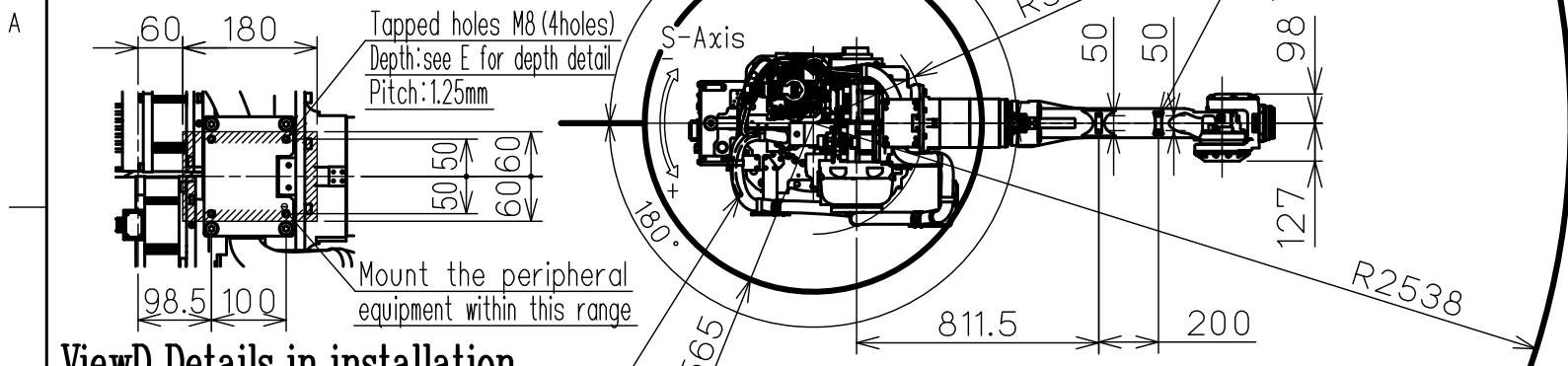
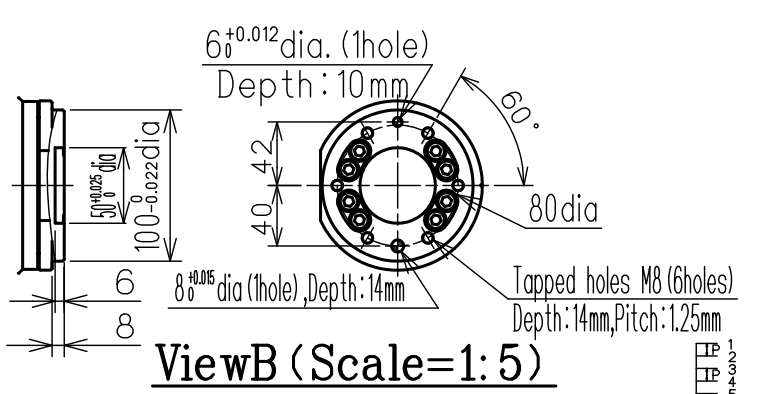
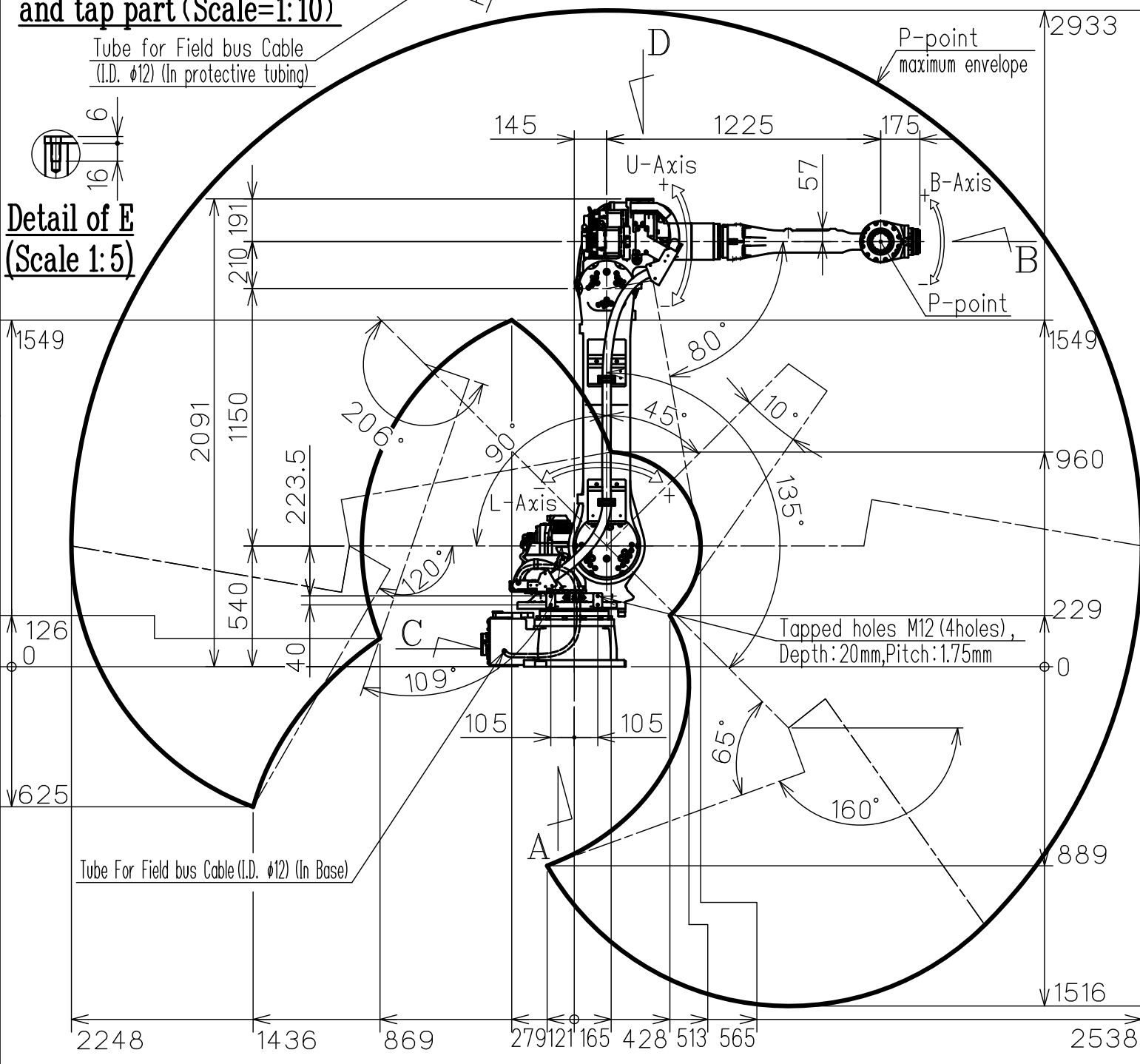


DWG.NO. HW1385687

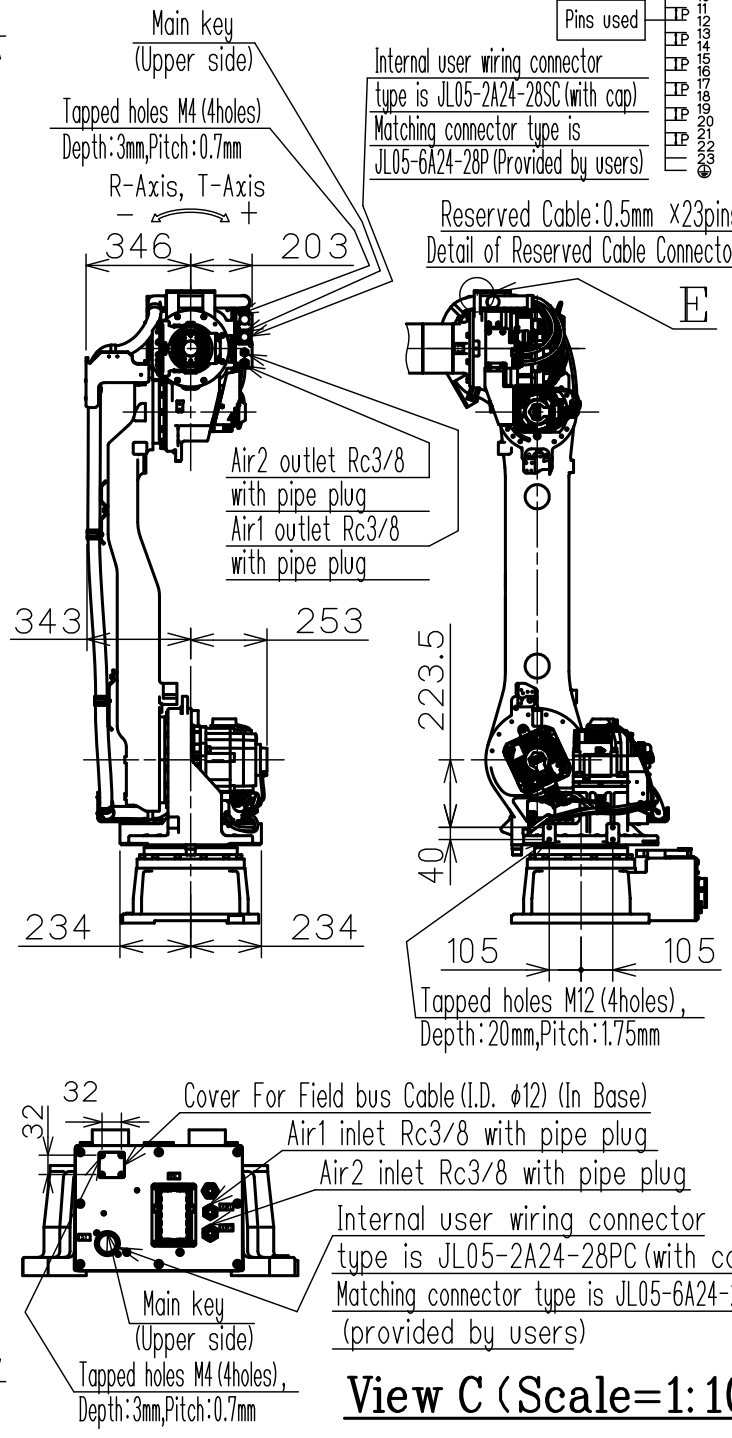


ViewD Details in installation and tap part (Scale=1:10)

Detail of E (Scale 1:5)



ViewB (Scale=1:5)

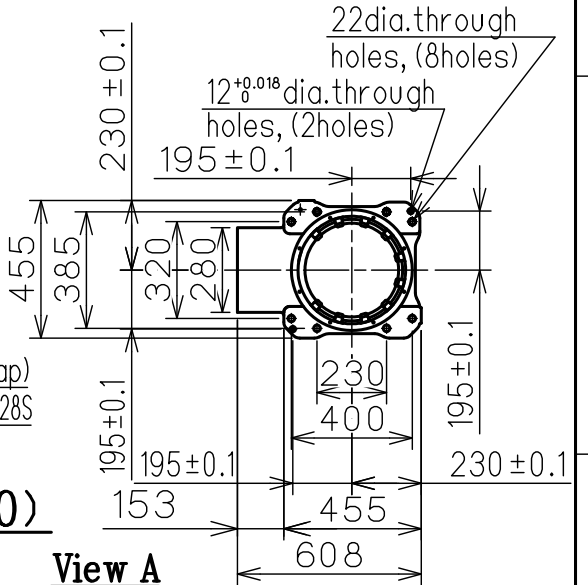


View C (Scale=1:10)

Item	Model	MOTOMAN-GP35L
Configuration		Articulated Robot
Degree of Freedom		6
Payload	Wrist	35 kg
	On U-arm	10 kg
Repeatability (※1)		0.07mm
Range of Motion	S-Axis (※2)	-180° - +180°
	L-Axis	-90° - +135°
	U-Axis	-80° - +206°
	R-Axis	-360° - +360°
	B-Axis	-125° - +125°
Max Speed	S-Axis	3.14rad/s, 180°/s
	L-Axis	2.44rad/s, 140°/s
	U-Axis	3.11rad/s, 178°/s
	R-Axis	4.36rad/s, 250°/s
	B-Axis	4.36rad/s, 250°/s
Allowable Moment	R-Axis	147N·m (15kgf·m)
	B-Axis	147N·m (15kgf·m)
	T-Axis	78N·m (8kgf·m)
Allowable Inertia (GD ² /4)	R-Axis	10kg·m ²
	B-Axis	10kg·m ²
	T-Axis	4kg·m ²
Approx. Robot mass		600kg
Protected structure		Body: IP54 Wrist: IP67
Mounting method (※2)		Floor-mounted/Wall-mounted/Tilt-mounted/Ceiling-mounted
Ambient Conditions	Temperature	0 to +45°C
	Humidity	20 to 80%RH (Non-condensing)
	Vibration	Less than 4.9m/s ² (0.5G)
	Altitude	1000m or less
Others		Free from explosive or corrosive gas and liquid. Free from dust, oil or water. Free from electrical noise. Free from strong magnetic fields.
Power Requirements		4.5KVA
Controller		YRC1000

※1 Repeatability is conformed to ISO 9283.
 ※2 When the manipulator is installed on a slope or a wall, the motion of S-axis will be limited.
 ※3 The manipulator is in the home position.

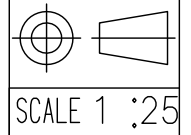
Type	Note
YR-1-06VXL35-A00	Standard



View A

Note:
 1. All rights reserved.
 2. Please note that the data is subject to be deleted without advance notice.
 3. No warranty is given in relation to the data including the specification.
 4. We are not responsible for any damages or loss caused by the use of the data.

FOR STUDY PURPOSE ONLY



YASKAWA
 株式会社安川電機

Reference Drawing

TITLE MOTOMAN-GP35L
 DIMENSION DIAGRAM

DRWN DATE May. 10. '17

DWG.NO. HW1385687

SIZE A3