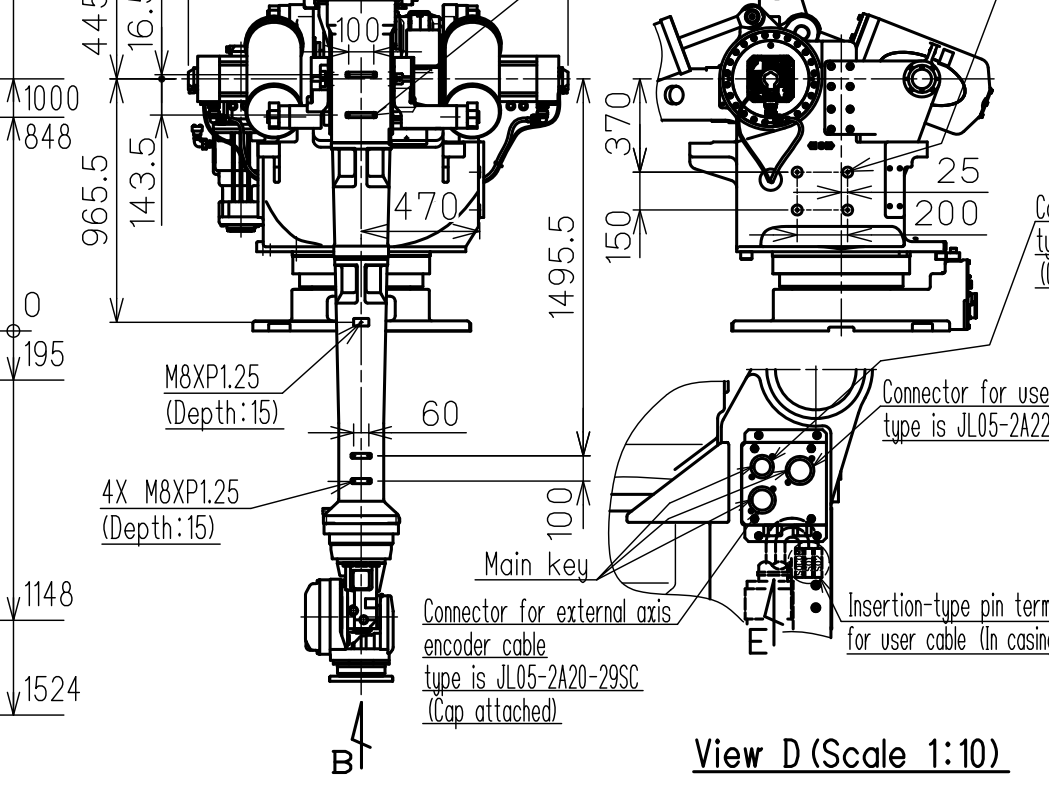
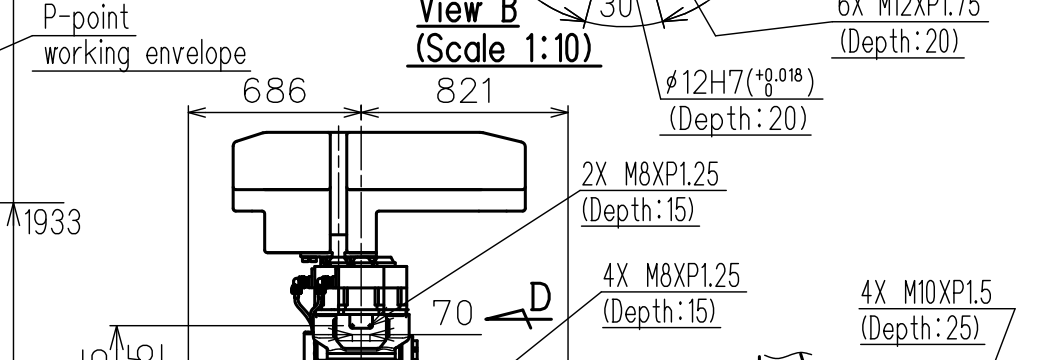
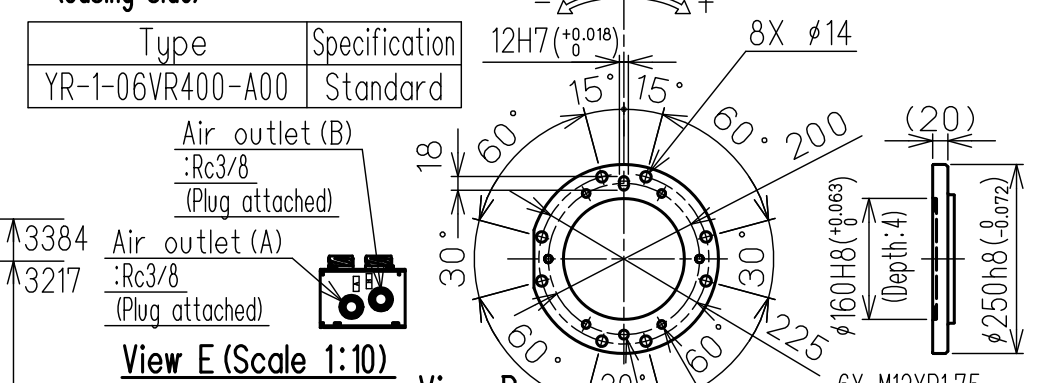
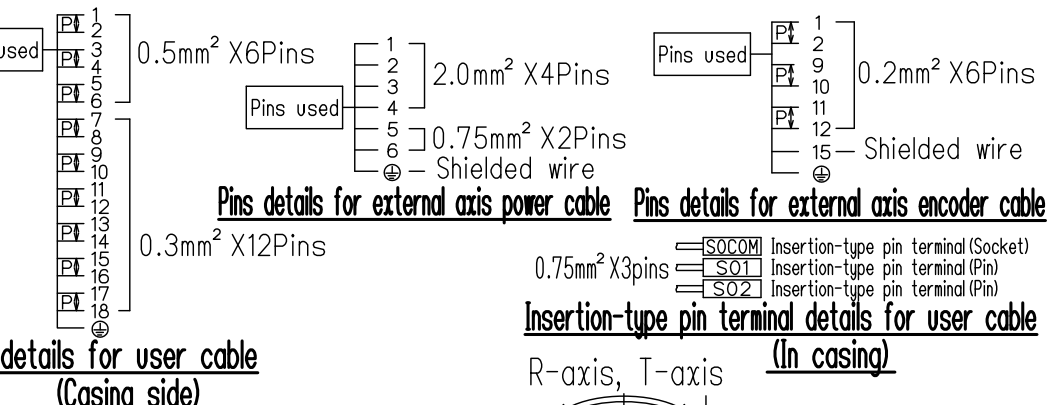
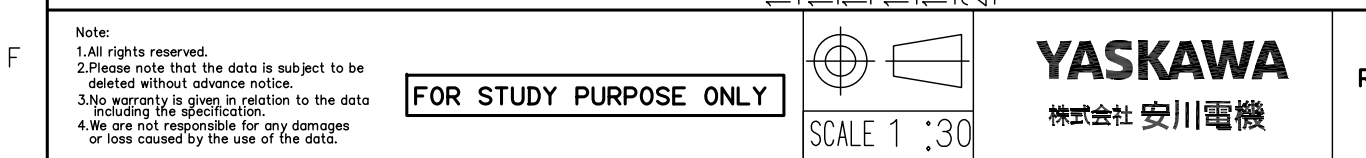
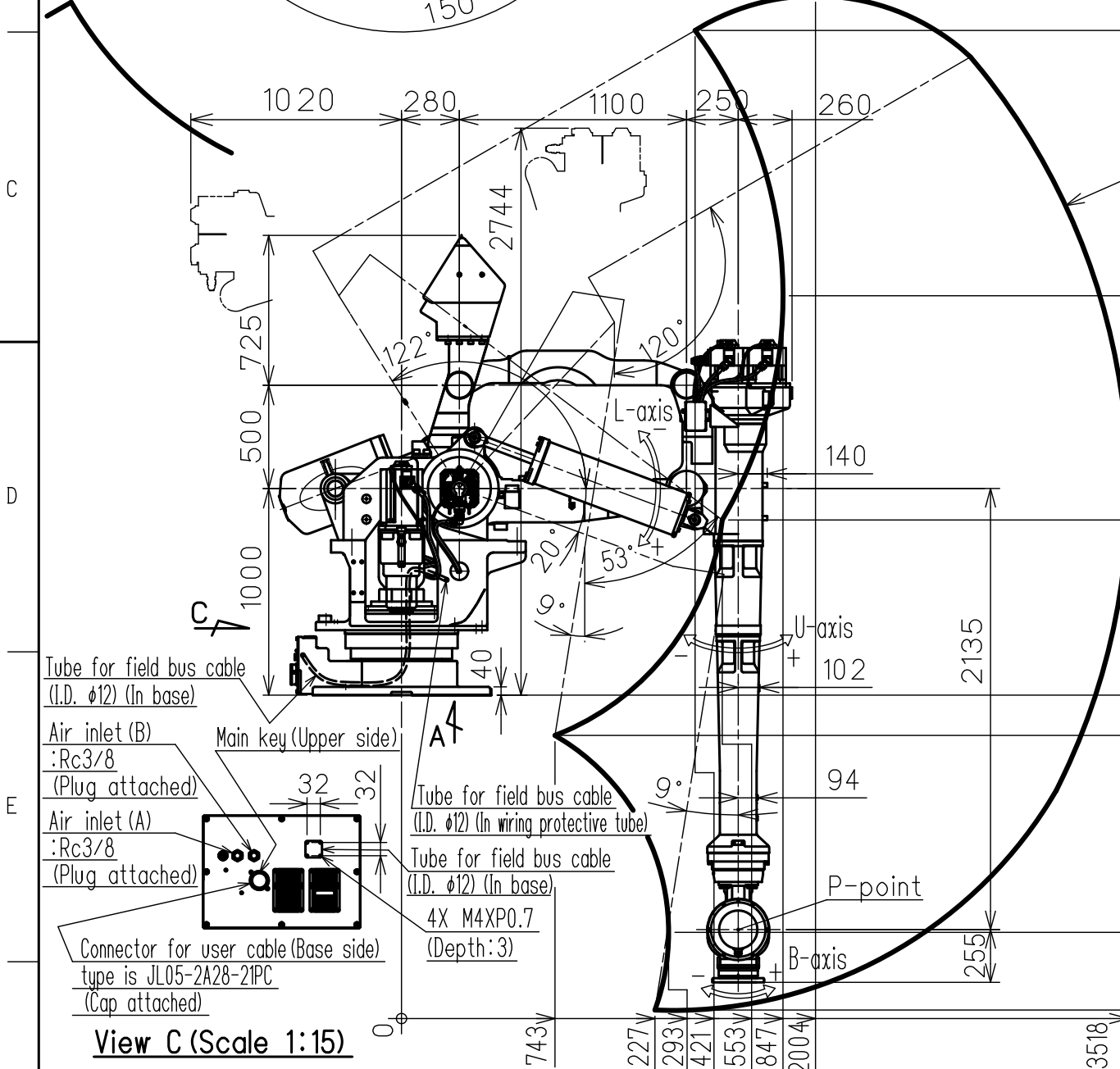
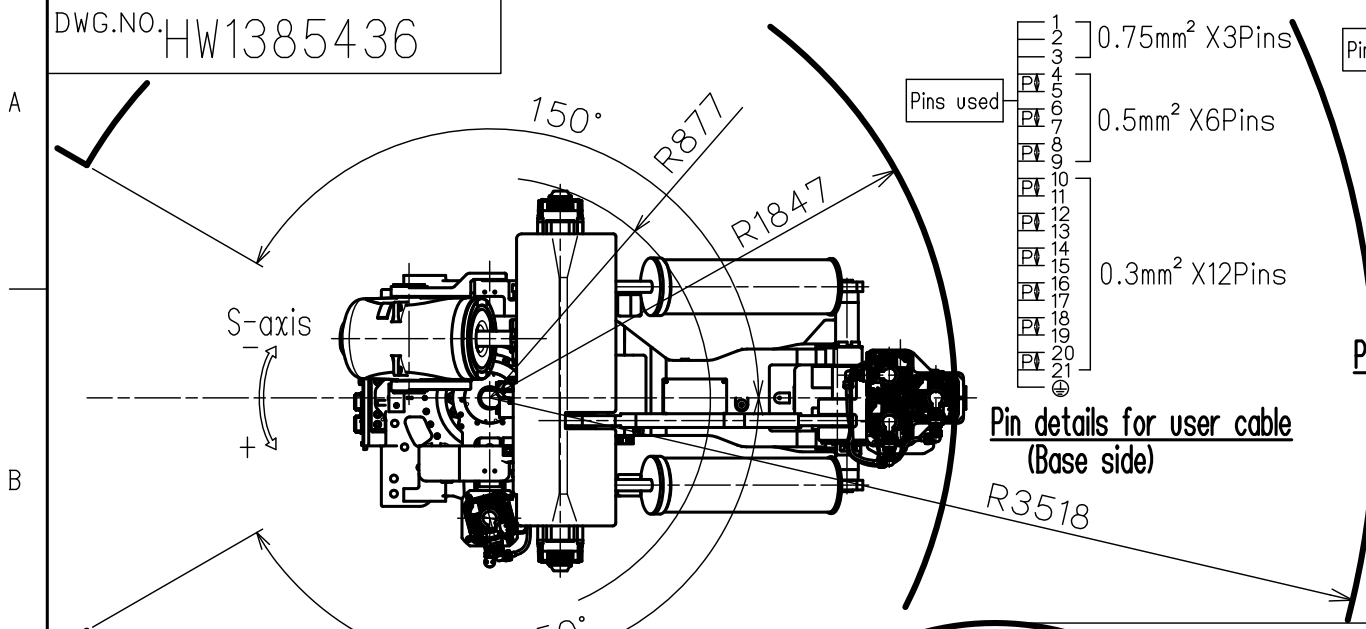
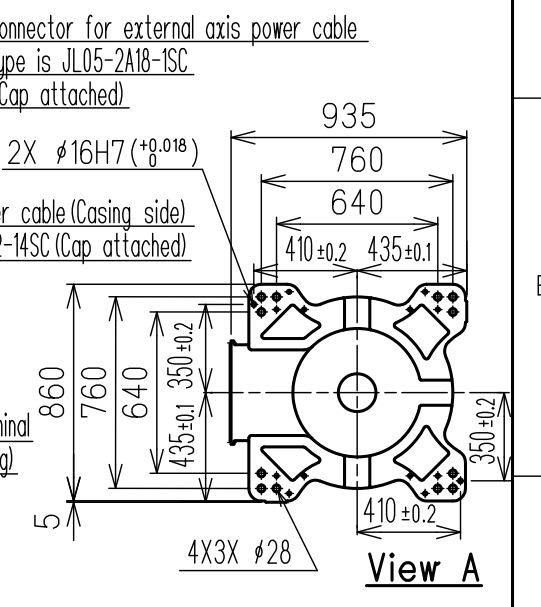


DWG.NO. HW1385436



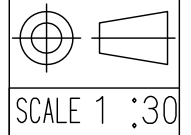
Item	Model	MOTOMAN-GP400R
Configuration	Vertically articulated	
Degree of freedom	6	
Payload	Wrist	400 kg
	On U-arm	10 kg
Repeatability (*1)	0.1 mm	
Range of motion	S-axis (Turning)	-150° - +150°
	L-axis (Lower arm)	-122° - +20°
	U-axis (Upper arm)	-9° - +120°
	R-axis (Roll)	-360° - +360°
	B-axis (Pitch/Yaw)	-120° - +120°
	T-axis (Twist)	-360° - +360°
Maximum speed	S-axis	1.40rad/s, 80°/s
	L-axis	1.40rad/s, 80°/s
	U-axis	1.40rad/s, 80°/s
	R-axis	1.40rad/s, 80°/s
	B-axis	1.40rad/s, 80°/s
Allowable moment	T-axis	2.79rad/s, 160°/s
	R-axis	1960 N·m (200 kgf·m)
	B-axis	1960 N·m (200 kgf·m)
Allowable inertia (GD <sup>2</sup> /4)	R-axis	150 kg·m <sup>2</sup>
	B-axis	150 kg·m <sup>2</sup>
	T-axis	50 kg·m <sup>2</sup>
Mass	3560 kg	
Protection rating	Body: IP30 Wrist: IP67	
Mounting method	Shelf-mounted	
Ambient conditions	Temperature	0°C - +45°C
	Humidity	20%RH - 80%RH (No-condensing)
	Vibration acceleration	4.9m/s <sup>2</sup> (0.5G) or less
	Altitude	1000m or less
	Flatness for installation	0.5mm or less
	Others	<ul style="list-style-type: none"> <li>Free from dirt, dust, oil soot, or water</li> <li>Free from explosive and corrosive gas or liquid</li> <li>Free from excessive electrical noise (plasma)</li> <li>Free from strong magnetic field</li> </ul>
Power requirements	7.0KVA	
Applicable controller	YRC1000	

\*1 Repeatability conforms to ISO 9283.  
 \*2 The manipulator is in the home position in this drawing.  
 Units: mm



Note:  
 1. All rights reserved.  
 2. Please note that the data is subject to be deleted without advance notice.  
 3. No warranty is given in relation to the data including the specification.  
 4. We are not responsible for any damages or loss caused by the use of the data.

FOR STUDY PURPOSE ONLY



**YASKAWA**  
 株式会社 安川電機

Reference Drawing

TITLE MOTOMAN-GP400R  
 DIMENSION DIAGRAM

DRWN DATE Oct.18.'17  
 DWG.NO. HW1385436

SIZE A3