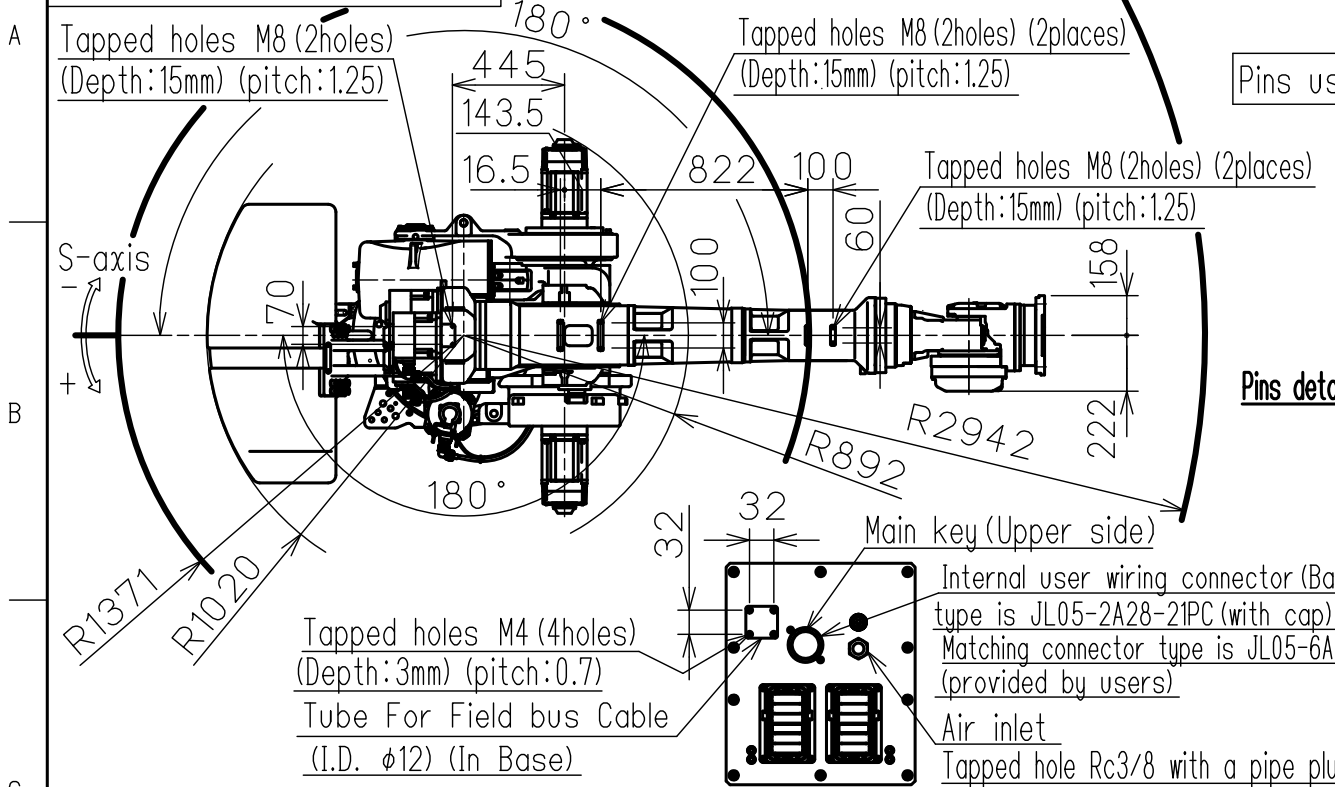
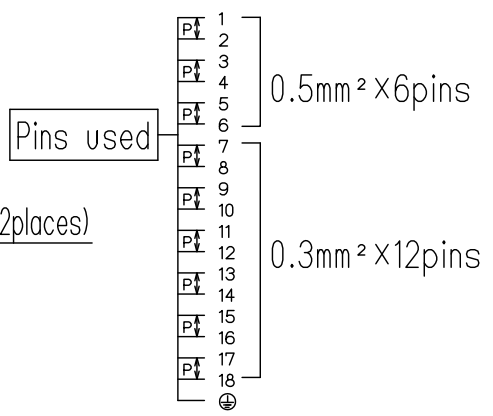


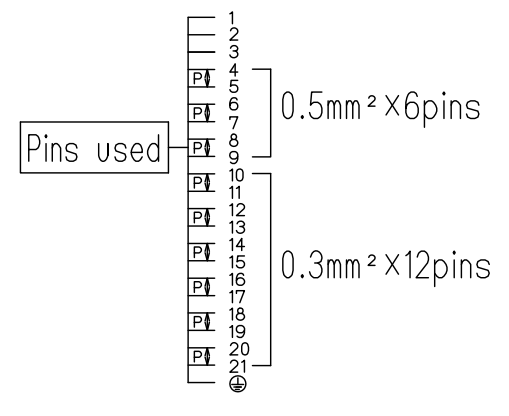
DWG.NO. HW1385406



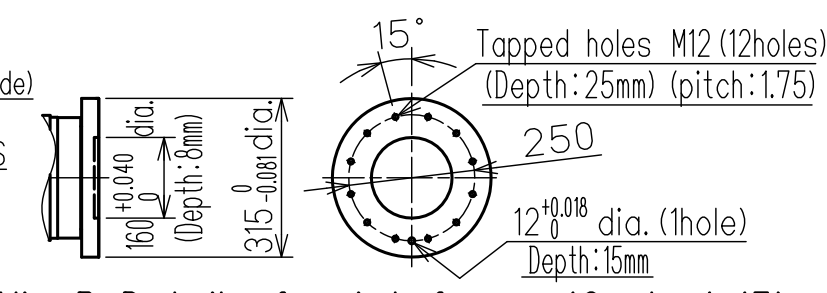
View C (Scale 1:10)



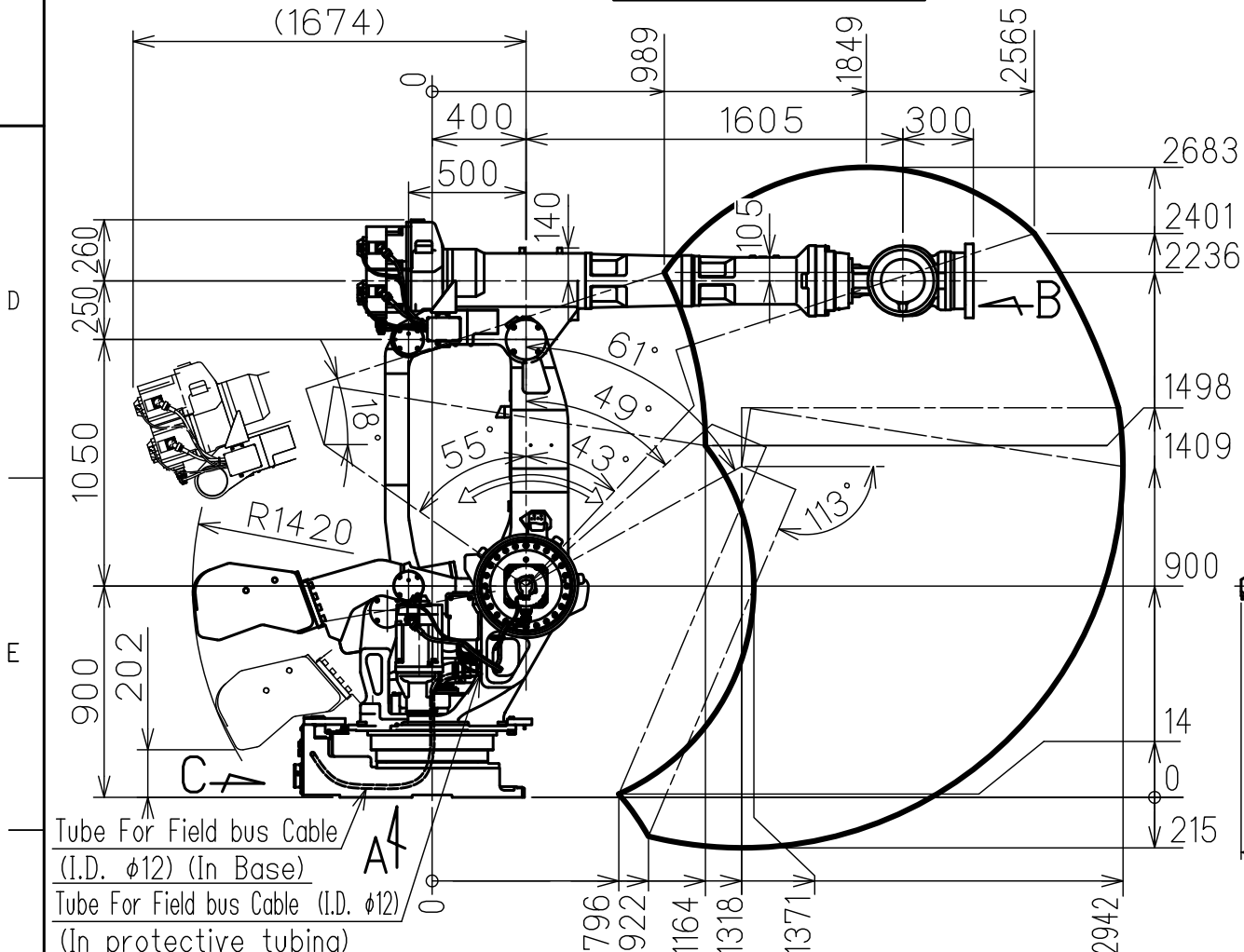
Pins details for internal user wiring harness (Casing side)



Pins details for internal user wiring harness (Base side)

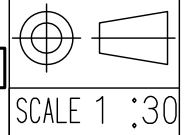


View B Detail of wrist frange (Scale 1:15)



Note:
 1. All rights reserved.
 2. Please note that the data is subject to be deleted without advance notice.
 3. No warranty is given in relation to the data including the specification.
 4. We are not responsible for any damages or loss caused by the use of the data.

FOR STUDY PURPOSE ONLY



YASKAWA
 株式会社 安川電機

Reference Drawing

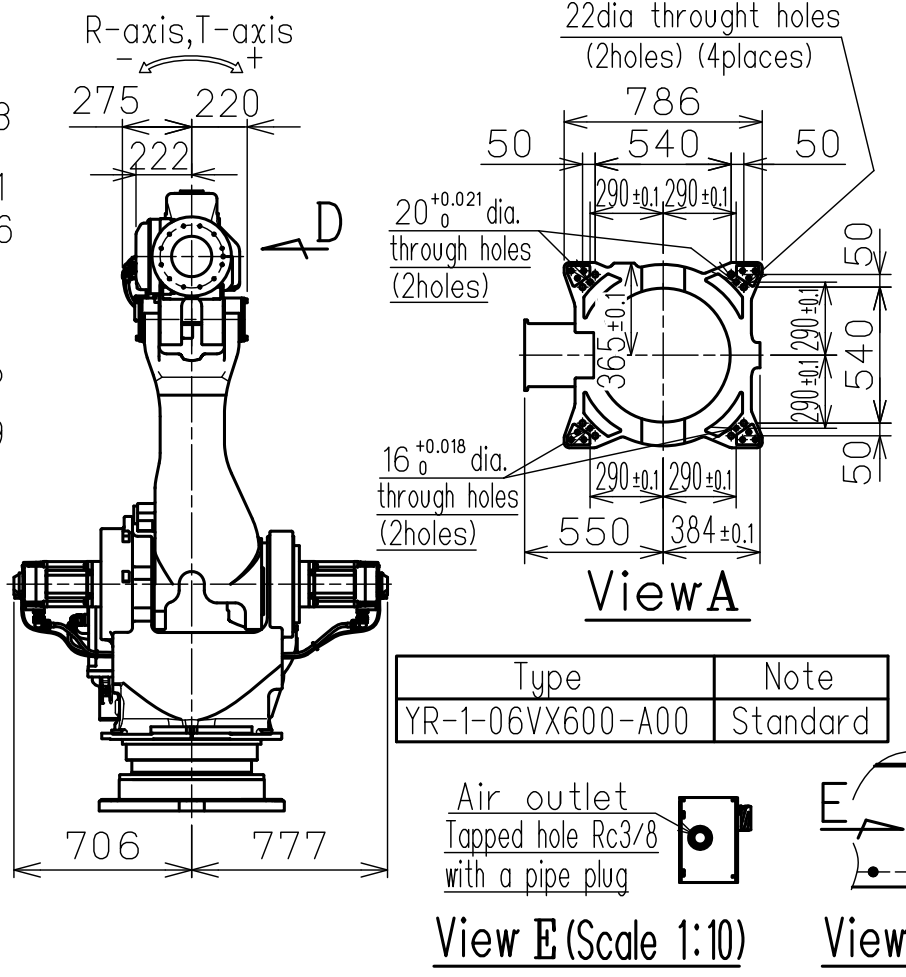
TITLE MOTOMAN-GP600
 DIMENSION DIAGRAM

DRWN DATE Oct.03.'17
 DWG.NO. HW1385406

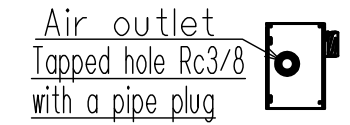
Item	Model	MOTOMAN-GP600
Configuration		Vertically articulated
Degree of Freedom		6
Payload	Wrist	600kg
	On U-arm	50kg
Repeatability (※1)		0.1 mm
Range of Motion	S-Axis (Turning)	-180° - +180°
	L-Axis (Lower Arm)	-55° - +61°
	U-Axis (Upper Arm)	-113° - +18°
	R-Axis (Roll)	-360° - +360°
	B-Axis (Pitch/Yaw)	-115° - +115°
	T-Axis (Twist)	-360° - +360°
Max Speed	S-Axis	1.43rad/s (82° /s)
	L-Axis	1.43rad/s (82° /s)
	U-Axis	1.43rad/s (82° /s)
	R-Axis	1.40rad/s (80° /s)
	B-Axis	1.40rad/s (80° /s)
Allowable Moment	R-Axis	3430N·m (350kgf·m)
	B-Axis	3430N·m (350kgf·m)
	T-Axis	1764N·m (180kgf·m)
Allowable Inertia (GD ² /4)	R-Axis	520kg·m ²
	B-Axis	520kg·m ²
	T-Axis	350kg·m ²
Approx. Robot mass		3035 kg
Protected structure		Body:IP30 Wrist:IP67
Mounting method		Floor-mounted
Ambient Conditions	Temperature	0 to +45°C
	Humidity	20 to 80%RH (Non-condensing)
	Vibration	4.9m/s ² (0.5G) or less
	Altitude	1000m or less
	Others	•Free from explosive or corrosive gas and liquid. •Free from dust,soot,oil,or water. •Free from electrical noise. •Free from strong magnetic fields.
Power Requirements		7.0KVA
Controller		YRC1000

※1 Repeatability is conformed to ISO 9283.
 ※2 The manipulator is in the home position.

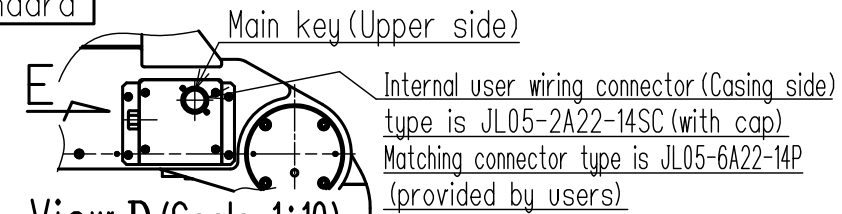
Units: mm



Type	Note
YR-1-06VX600-A00	Standard



View E (Scale 1:10)



View D (Scale 1:10)