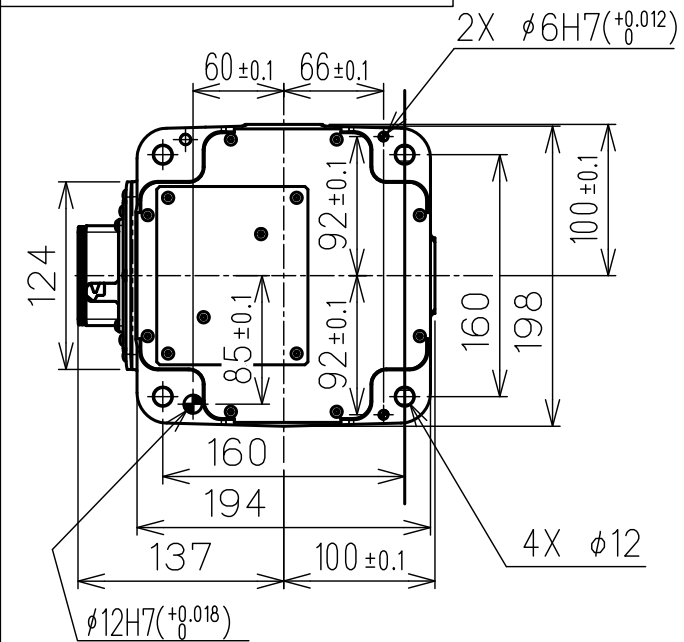
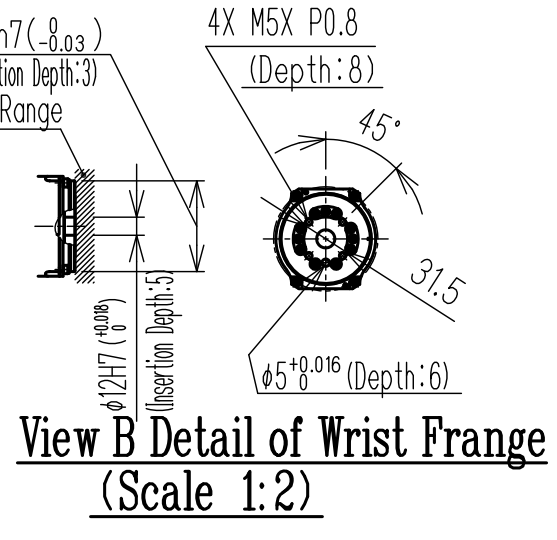
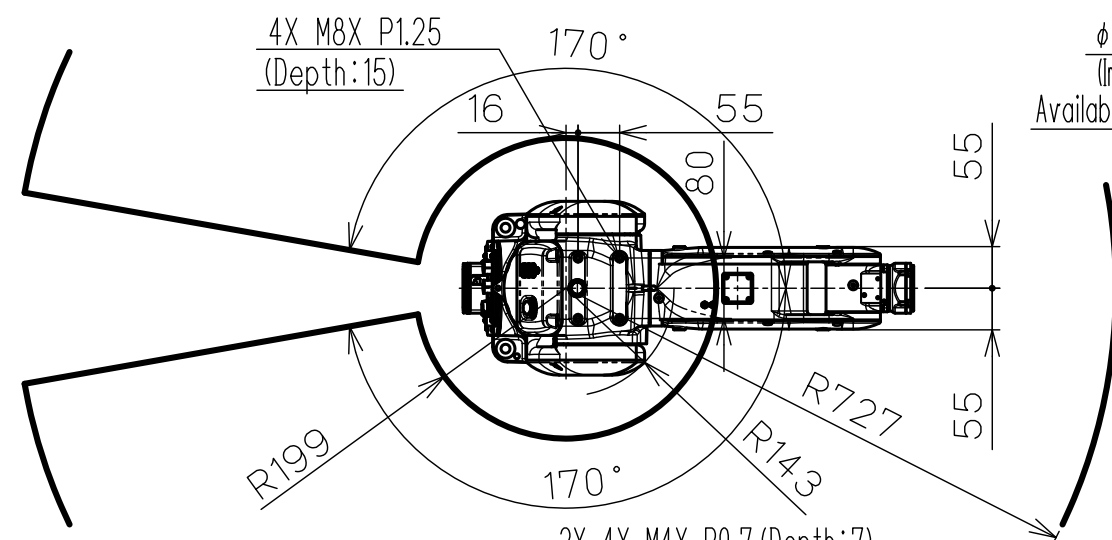


DWG.NO. HW1384162

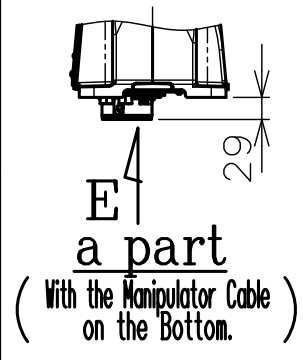


View A (Scale 1:5)

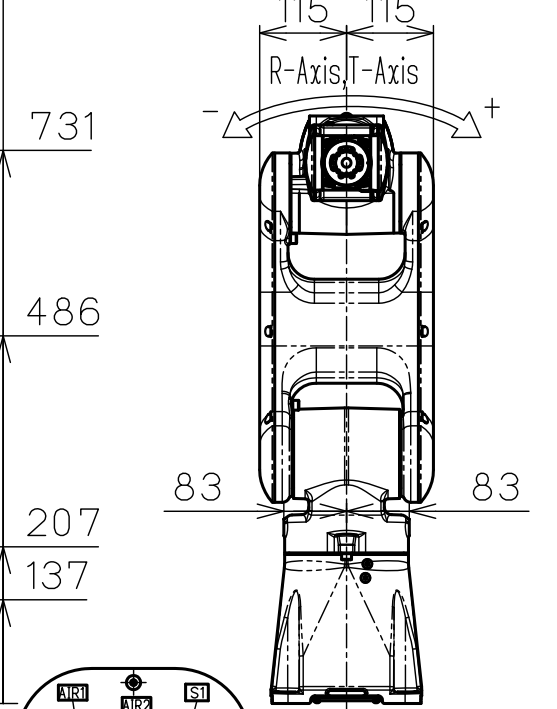
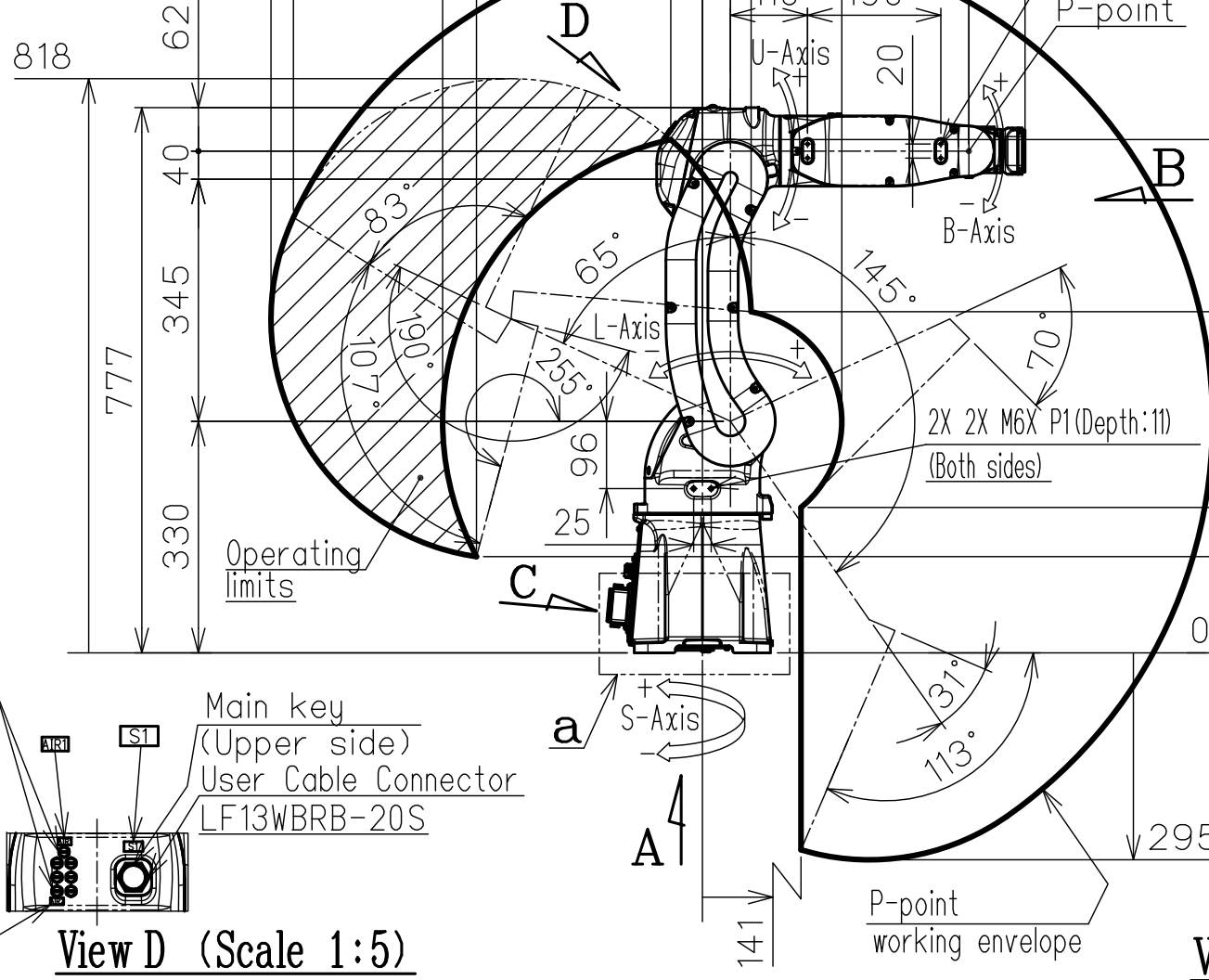
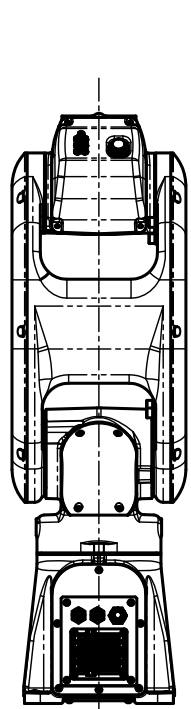


View B Detail of Wrist Frange (Scale 1:2)

Type	Controller	Model	Specification
YR-1-06VX8-A00	YRC1000	GP8/AR700	STANDARD
	YRC1000micro	GP8	
YR-1-06VX8-B00	YRC1000	GP8/AR700	ANTI-CORROSIVE COAT
	YRC1000micro	GP8	



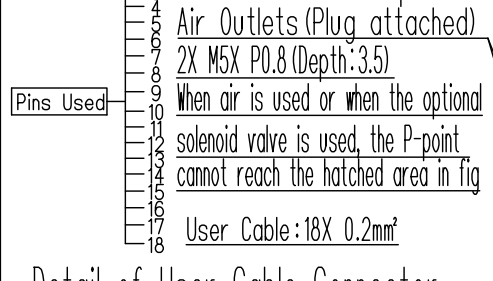
View E (Scale 1:5)



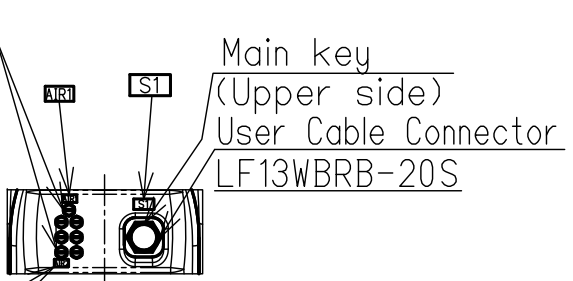
View C (Scale 1:4)

Item	Model	MOTOMAN-GP8/AR700
Configuration		Vertically Articulated
Degree of Freedom		6
Payload	Wrist	8kg
	On U-arm (*1)	1kg
Repeatability (*2)		0.01mm
Range of motion	S-Axis (Turning)	-170° - +170°
	L-Axis (Lower Arm)	-65° - +145°
	U-Axis (Upper Arm)	-70° - +190°
	R-Axis (Roll)	-190° - +190°
	B-Axis (Pitch/Yaw)	-135° - +135°
	T-Axis (Twist)	-360° - +360°
Maximum speed	S-Axis	7.94rad/s, 455°/s
	L-Axis	6.72rad/s, 385°/s
	U-Axis	9.07rad/s, 520°/s
	R-Axis	9.59rad/s, 550°/s
	B-Axis	9.59rad/s, 550°/s
Allowable Moment	R-Axis	17Nm (1.73kgfm)
	B-Axis	17Nm (1.73kgfm)
	T-Axis	10Nm (1.02kgfm)
Allowable Inertia (GD <sup>2</sup> /4)	R-Axis	0.5kg·m <sup>2</sup>
	B-Axis	0.5kg·m <sup>2</sup>
	T-Axis	0.2kg·m <sup>2</sup>
Mass		35kg
Protection rating		IP67
Cleanliness (reference)		Equivalent to ISO class 5
Mounting method (*3)		Floor-Wall-Tilt-Ceiling-mounted
Ambient Conditions	Temperature	0°C - +45°C
	Humidity	20%RH - 80%RH (no-condensing)
	Vibration acceleration	4.9 m/s <sup>2</sup> (0.5G) or less
	Altitude	1000 m or less
	Flatness for installation	0.5mm or less
Others		Free from explosive and corrosive gas or liquid Free from excessive electrical noise (plasma) Free from strong magnetic field
Power Requirements		1KVA
Applicable controller		YRC1000/YRC1000micro

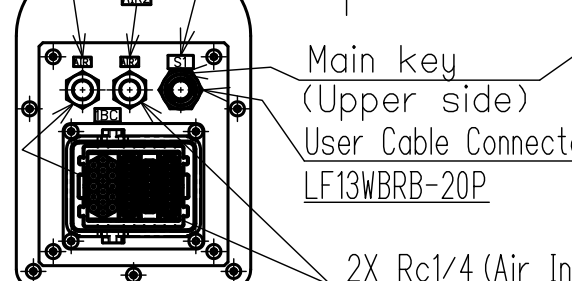
Notes: \*1 Load on the U-arm will vary depending on the load weight of the wrist part.  
\*2 Repeatability conforms to ISO9283.  
\*3 When the manipulator is installed on a tilt or a wall, the motion of S-axis will be limited.  
\*4 The manipulator is in the home position.  
\*5 This cleanliness is for reference and not guaranteed.



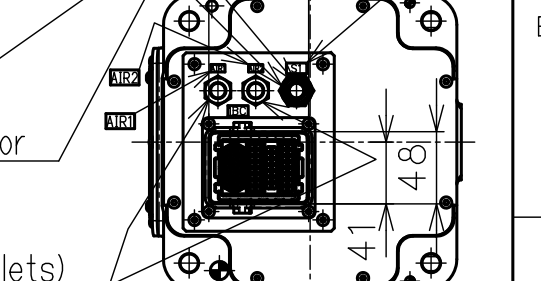
Detail of User Cable Connector



View D (Scale 1:5)



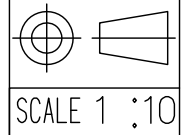
View C (Scale 1:4)



View E (Scale 1:5)

Note:  
1.All rights reserved.  
2.Please note that the data is subject to be deleted without advance notice.  
3.No warranty is given in relation to the data including the specification.  
4.We are not responsible for any damages or loss caused by the use of the data.

FOR STUDY PURPOSE ONLY



**YASKAWA**  
株式会社 安川電機

Reference Drawing

TITLE MOTOMAN-GP8/AR700  
DIMENSION DIAGRAM

DRWN DATE '16.08.17  
DWG.NO. HW1384162

SIZE A3